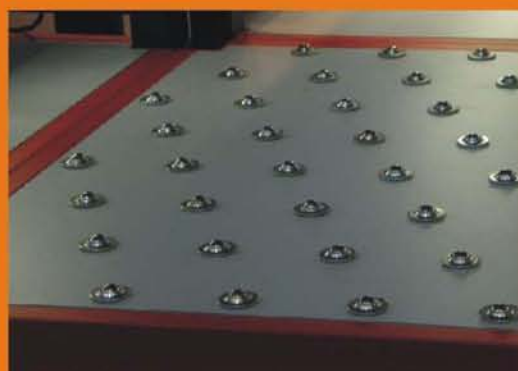


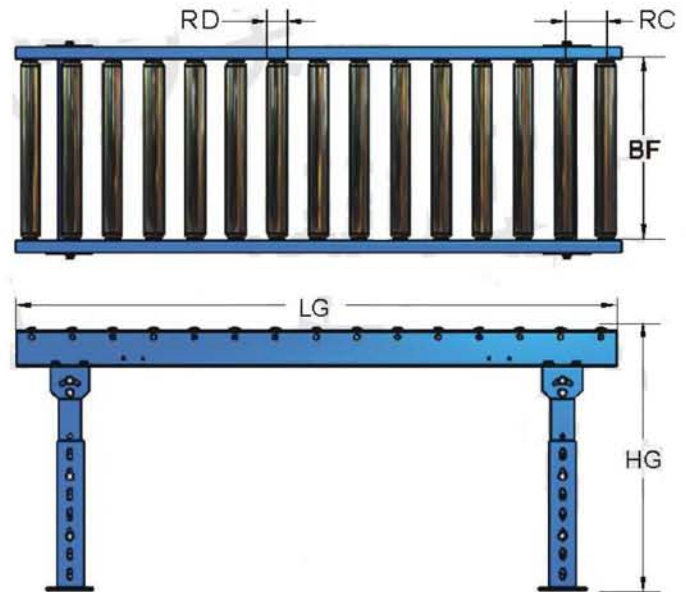


# TRANSPORTADORES DE POLINES Y TELA



# TRANSPORTADORES GRAVITACIONALES RECTOS DE POLINES

GRC/standard load capacity



Order NO: GRC483-500/75-3000

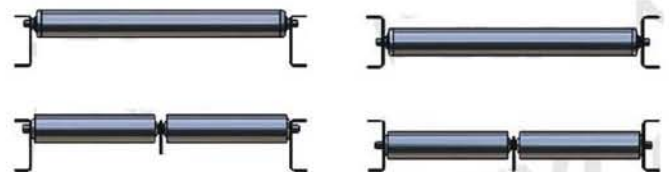
Between Frame Width    Conveyor Standard Length

GRC **RD** - **BF** / **RC** - **LG** -

Roller Diameter    Roller Center    Other Optional

Roller High

Roller Low



Model	Roller				RC	BF	LG
	RD Dia. (mm)	Wall (mm)	Bearing	Capacity (kg)	Roller Center (mm)	Between Frame Width (mm)	Conveyor Length (mm)
GRC350	35.0	1.2	HM325	58	50	150,250,350	3000
GRC380	38.0	1.2	HB350	70	50	200,300,500	
GRC400	40.0	1.2	FA381	100	75,100	300,500,750	
GRC483	48.3	1.65	HM450	126	75,100	500,750,950	
GRC500	50.0	1.5	HM475	150	75,100	500,750,950	
GRC600	60.0	2.0	HB560	280	100,125	500,750,950	
GRC635	63.5	3.0	FM577	315	100,125	750,1000,1250	
GRC700	70.0	2.9	HP643	380	100,125	750,1000,1250	
GRC760	76.0	6.0	SM576	450	100,125	750,1000,1250	
GRC890	89.0	6.0	SM780	500	100,125	950,1200,1450	

Other optional roller please refer to tycon roller catalogue

## Standard

- Rollers --- carbon steel, zinc plated
- Frame --- carbon steel, powder coated
- Height --- 700-1000mm adjustable

## Optional

- Rollers --- stainless, PVC; galvanized, rubber coated
- Frame --- stainless, galvanized

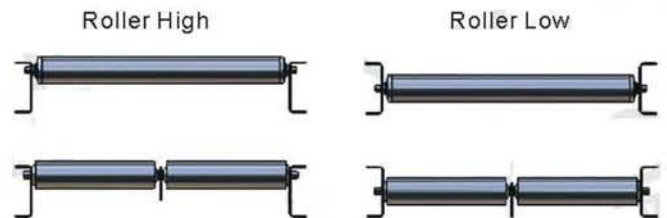
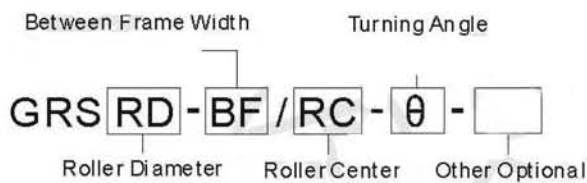
Customized model available

# TRANSPORTADORES GRAVITACIONALES CURVOS DE POLINES

GRS/standard load capacity



Order NO: GRS483-500/75-90



Model	Roller				RC	BF	θ
	RD Dia. (mm)	Wall (mm)	Bearing	Capacity (kg)	Inside Roller Center (mm)	Between Frame Width (mm)	Turning Angle (degree)
GRS350	35.0	1.2	HM325	58	50	150,250,350	45,90,180
GRS380	38.0	1.2	HB350	70	50	200,300,500	
GRS400	40.0	1.2	FA381	100	75,100	300,500,750	
GRS483	48.3	1.65	HM450	126	75,100	500,750,950	
GRS500	50.0	1.5	HM475	150	75,100	500,750,950	
GRS600	60.0	2.0	HB560	280	100,125	500,750,950	
GRS635	63.5	3.0	FM577	315	100,125	750,1000,1250	
GRS700	70.0	2.9	HP643	380	100,125	750,1000,1250	
GRS760	76.0	6.0	SM576	450	100,125	750,1000,1250	
GRS890	89.0	6.0	SM780	500	100,125	950,1200,1450	

## Standard

- Rollers --- carbon steel, zinc plated
- Frame --- carbon steel, powder coated
- Height --- 700-1000mm adjustable

## Optional

- Rollers --- stainless, PVC; galvanized, rubber coated
- Frame --- stainless, galvanized

Customized model available

# TRANSPORTADOR GRAVITACIONAL CURVO DE POLINES CONICOS

GRT/standard load capacity



Order NO: GRT483-500/75-90

Between Frame Width      Turning Angle

GRT RD - BF / RC -  $\theta$  - [ ]

Roller Small End Diameter      Roller Center      Other Optional

Roller High

Roller Low



Model	Roller		BF	RC	HG	$\theta$
	RD Roller Small End Diameter (mm)	Capacity (kg)	Between Frame Width (mm)	Inside Roller Center (mm)	Conveyor Height (mm)	Turning Angle (degree)
GRT350	35.0	45	350	75, 125, 150	700-1000	90, 60, 45
		30	450			
GRT483	48.3	120	550			
		110	650			
GRT635	63.5	300	750			
		250	950			

## Standard

- Rollers --- carbon steel, rubber coated, taper plastac cover, zinc plated
- Frame --- carbon steel, powder coated

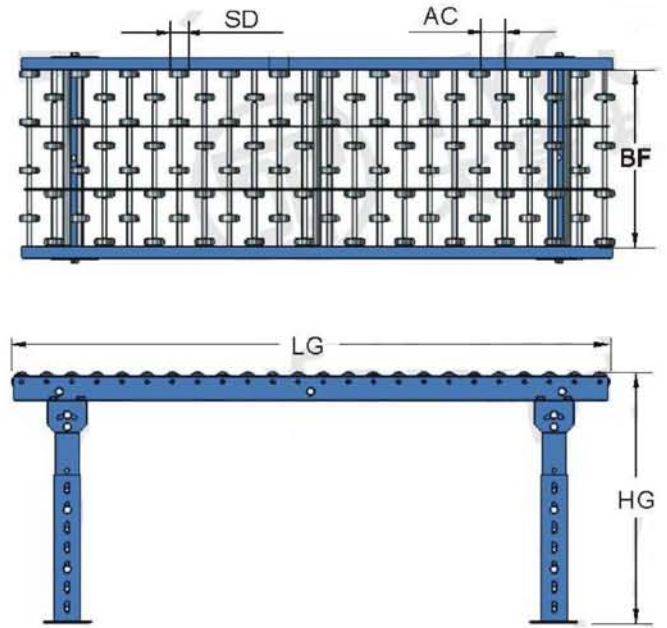
## Optional

- Rollers --- stainless, galvanized,
- Frame --- stainless, galvanized

Customized model available

# TRANSPORTADOR GRAVITACIONAL RECTO DE RUEDAS

standard load capacity

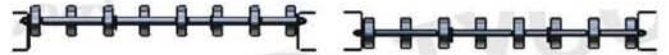


Order NO: GSB493-450/75-3000

SKB Series Skatewheel    Between Frame Width    Conveyor Standard Length    Wheel High    Wheel LOW

GS B - SD - BF / AC - LG -

Skatewheel Diameter    Axle Center    Other Optional



Model	Skatewheel			AC	LG	BF	HG
	SD Dia. (mm)	Capacity Per Wheel (kg)	Specification	Axles Center (mm)	Conveyor Length (mm)	Between Frame Width (mm)	Conveyor Height (mm)
GSP493	49.3	12	Plastic Wheel	38, 50, 75, 100	3000	350	700-1000
GSM493		35	Carbon Steel Wheel			450	
GSB493		80				550	
						650	
						750	
						950	

## Standard

- wheel --- SKB, SKM, series, carbon steel wheel, SKP series, nylon wheel
- frame --- carbon steel, powder coated, with bolt-in cross members
- SKB series 10,000,000 revolutions under normal us

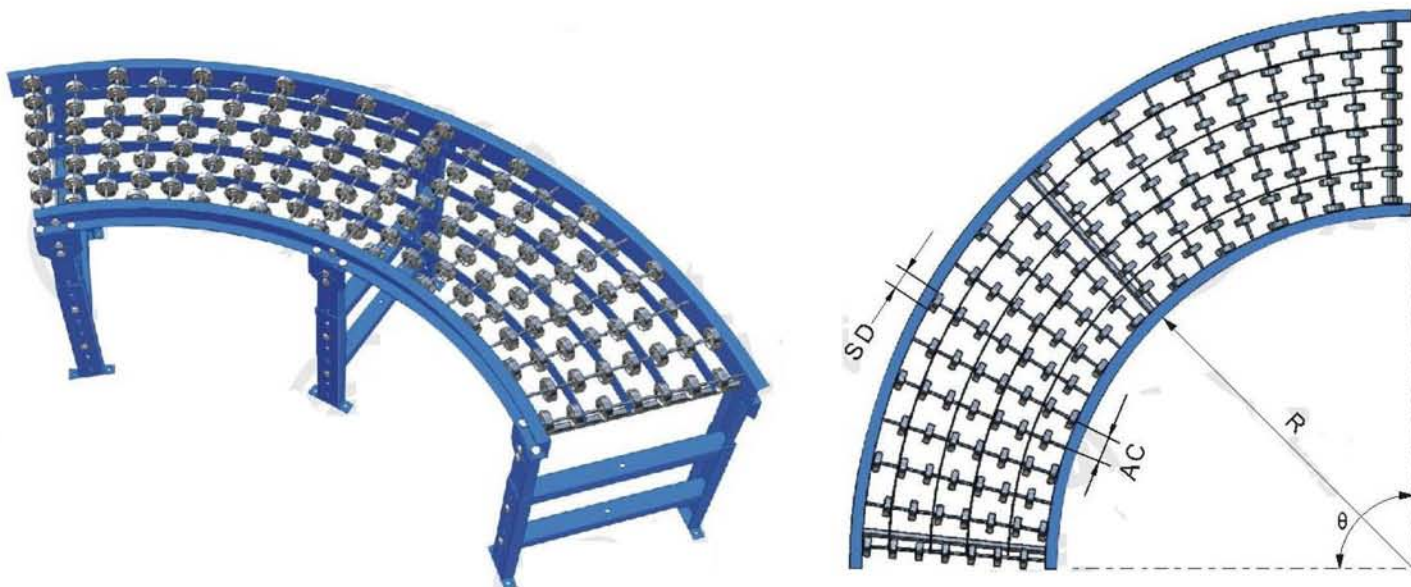
## Optional

- Wheel --- aluminum, urethane coated
- Frame --- aluminum, stainless, galvanized

Customized model available

# TRANSPORTADOR GRAVITACIONAL CURVO DE RUEDAS

standard load capacity



Order NO: GDB493-550/75-90

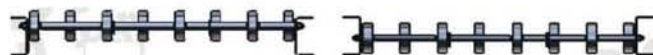
SKB Series Skatewheel    Between Frame Width    Turning Angle

GDB-SD-BF/AC-θ-

Skatewheel Diameter    Axle Center    Other Optional

Wheel High

Wheel LOW



Model	Skatewheel			AC	θ	BF	HG
	SD Dia. (mm)	Capacity Per Wheel	Specification	Axles Center (mm)	Turning Angle (degree)	Between Frame Width (mm)	Conveyor Height (mm)
GDP493	49.3	12	Plastic Wheel	38,50,75,100	30,45,60,90	350	700-1000
GDM493		35	Carbon Steel Wheel			450	
GDB493		80				550	
		650					
						750	
						950	

## Standard

- wheel --- SKB, SKM, series, carbon steel wheel, SKP series, nylon wheel
- frame --- carbon steel, powder coated, with bolt-in cross members
- SKB series 10,000,000 revolutions under normal us

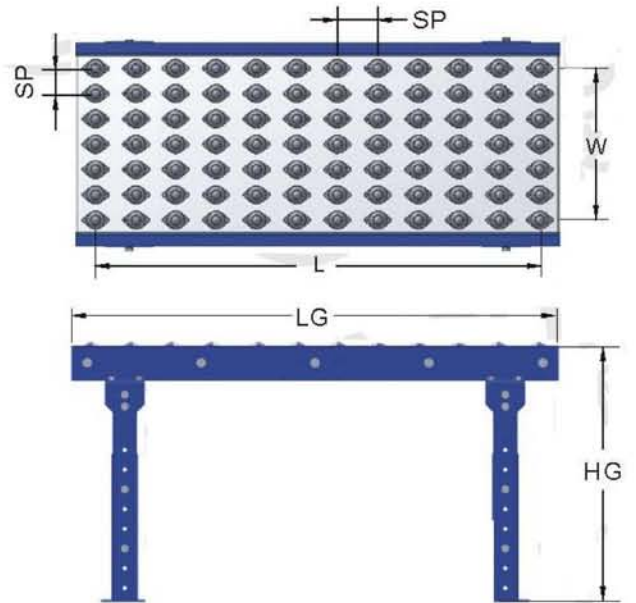
## Optional

- Wheel --- aluminum, urethane coated
- Frame --- aluminum, stainless, galvanized

Customized model available

# MESA DE BOLAS MULTIDIRECCIONALES

CBT/standard load capacity

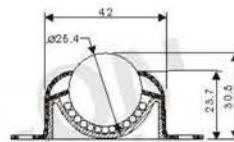


Order NO: CBT254-0110/610x610-50

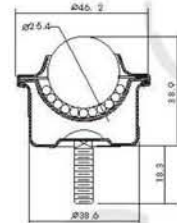
Ball Transfer Unit Model    Table Width    Spacing

**C** **BT model** / **L x W** - **SP** -

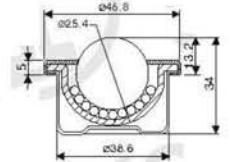
Table Length    Other Optional



BT254-0110



BT254-0310



BT254-0710

Model	L x W (mm)	SP	Fixed Model	Ball Transfer Loading Capacity (kg/unit)	Note	
		Spacing (mm)				
CBT254-0110	460X460	50,75,100	Flange Fixing	50		
	610X610					
	760X760					
	1000X1000					
CBT254-0310	460X460		Bolt Fixing	25		Thread Optional
	610X610					
	760X760					
	1000X1000					
CBT254-0710	610X610		Drop-in	50		
	760X760					
	1000X1000					
	1200X1200					

## Standard

- Ball Unit --- carbon steel, heat-treatment, zinc plated
- Frame --- carbon steel, powder coated, fixed legs

## Optional

- adjustable legs, side guards, stainless steel, galvanized

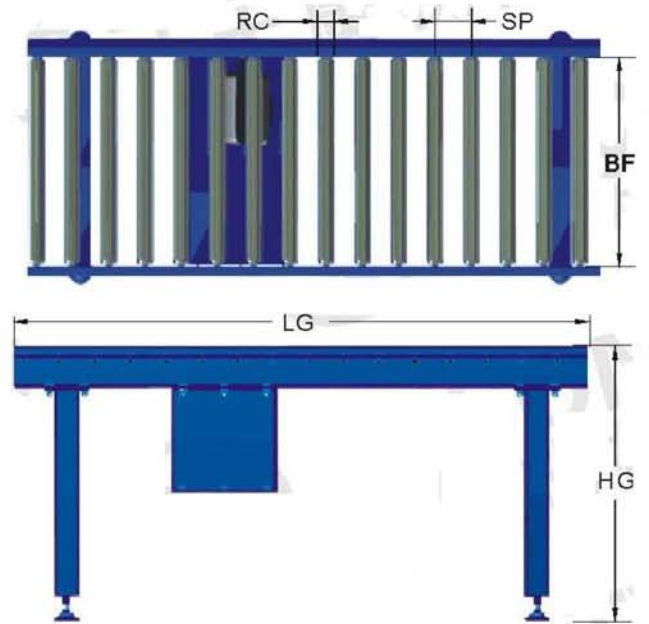
## Customized model available

Load capacities can vary from a few kilos up to several hundred by choose different model ball transfer unit. Space is calculated by dividing the narrowest dimension by 3.5. This ensures 3 ball units will be beneath the narrowest dimension of the load at any time.

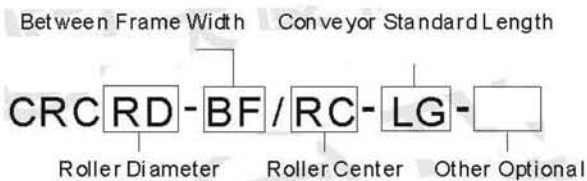


# TRANSPORTADOR DE POLINES RECTO MOTORIZADO POR CADENAS

CRC/standard load capacity



Order NO: CRC483-550/75-3000



Model	Roller		BF	RC	LG	HG
	RD Roller Diameter (mm)	Capacity	Between Frame Width (mm)	Roller Center (mm)	Conveyor Length (mm)	Conveyor Height (mm)
CRC483	48.3	65	350	75, 125, 150	3000	700-1000
		55	450			
		45	550			
CRC635	63.5	100	650			
		90	750			
		70	950			

## Standard

- Rollers --- carbon steel, zinc plated
- Frame --- carbon steel, powder coated
- Control  
Control panel, variable speed controller

## Optional

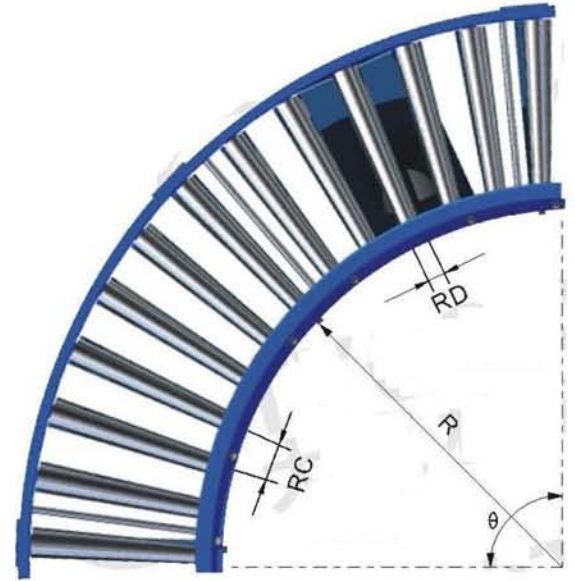
- Rollers --- stainless, galvanized, rubber coated
- Frame --- stainless, galvanized
- Control  
Photo cell controls

## Customized model available



# TRANSPORTADOR DE POLINES CURVO MOTORIZADO POR CADENAS

CRD/standard load capacity



Order NO: CRD483-550/75-90

Between Frame Width

Turning Angle

CRD  -  /  -  -

Roller Diameter    Roller Center    Other Optional

Model	Roller		BF	RC	HG	θ
	RD Roller Small End Diameter (mm)	Capacity (kg)	Between Frame Width (mm)	Roller Center (mm)	Conveyor Height (mm)	Turning Angle (degree)
CRD483	48.3	65	350	75,125,150	700-1000	45,60,90
		55	450			
		45	550			
		100	650			
		90	750			
		70	950			

## Standard

- Rollers --- carbon steel, zinc plated
- Frame --- carbon steel, powder coated
- Control  
Control panel, variable speed controller

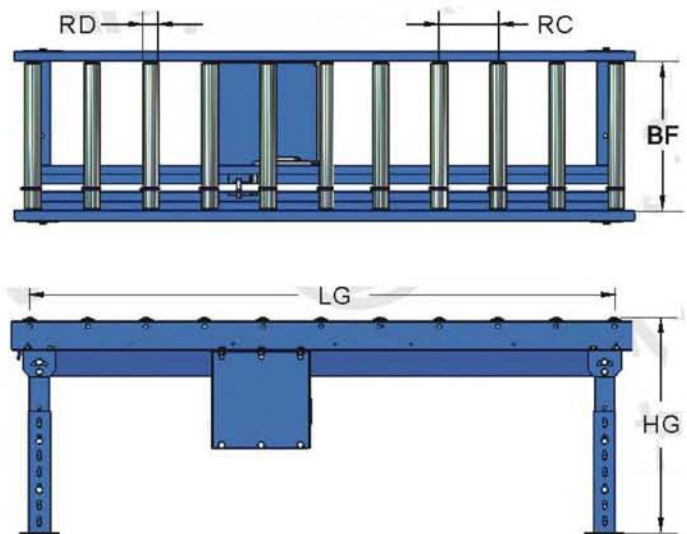
## Optional

- Rollers --- stainless, galvanized
- Frame --- stainless, galvanized
- Control  
Photo cell controls

Customized model available

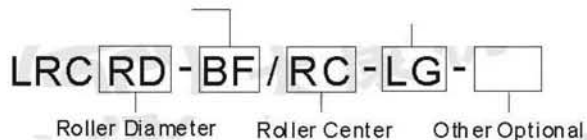
# TRANSPORTADOR DE EJE Y O'RING TRAMO RECTO

LRC/standard load capacity



Order NO: LRC483-550/75-3000

Between Frame Width    Conveyor Standard Length



Model	Roller		BF	RC	LG	HG
	Roller Diameter (mm)	Capacity (kg)	Between Frame Width (mm)	Roller Center (mm)	Conveyor Length (mm)	Conveyor Height (mm)
LRC350	35.0	15	350	75, 125, 150	3000	700-1000
			450			
			550			
LRC483	48.3	20	650			
			750			
			950			
LRC600	60.0	20	1050			
			1150			
			1250			

## Standard

- Rollers --- carbon steel, zinc plated double spring, precision bearing
- Frame --- carbon steel, powder coated
- Control
  - Control panel, variable speed controller

## Optional

- Rollers --- stainless, galvanized, rubber coated
- Frame --- stainless, galvanized
- Control
  - Photo cell controls

## Customized model available

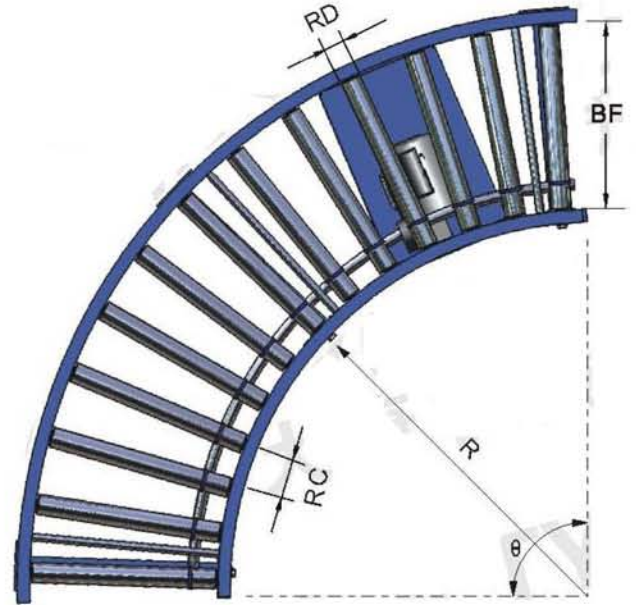
Line-shaft roller conveyors—powered via a shaft beneath the rollers. These conveyors are suitable for light applications up to 20kg per roller

Advantages of this conveyor are quiet operation, as well as easy installation and maintenance and relatively low expense

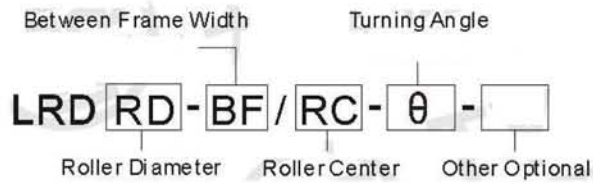


# TRANSPORTADOR DE EJE Y O'RING TRAMO CURVO

LRD/standard load capacity



Order NO: LRD483-550/75-90



Model	Roller		BF	RC	HG	θ
	RD Roller Diameter (mm)	Capacity, (kg)	Between Frame Width (mm)	Roller Center (mm)	Conveyor Height (mm)	Turning Angle (degree)
LRD350	35.0	15	350	75, 125, 150	700-1000	45, 60, 90
			450			
			550			
LRD483	48.3	20	650			
			750			
			950			
LRD600	60.0	20	1050			
			1150			
			1250			

## Standard

- Rollers --- carbon steel, zinc plated, precision bearing
- Frame -- carbon steel, powder coated
- Control  
Control panel, variable speed controller

## Optional

- Rollers --- stainless, galvanized, rubber coated
- Frame --- stainless, galvanized
- Control  
Photo cell controls

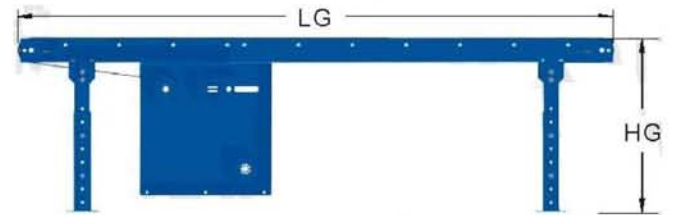
## Customized model available

Line-shaft roller conveyors--powered via a shaft beneath the rollers. These conveyors are suitable for light applications up to 20kg per roller

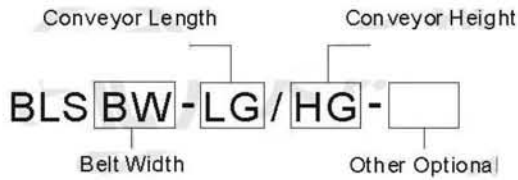
Advantages of this conveyor are quiet operation, as well as easy installation and maintenance and relatively low expense

# TRANSPORTADOR RECTO DE TELA SOBRE CAMA DE POLINES

BLS/standard load capacity



Order NO: BLS450-3000/750



Model	Belt			LG	HG	Loading Capacity (kg/m)
	BW Belt Width (mm)	BF Between Frame Width (mm)	Belt Thickness (mm)	Conveyor Length (mm)	Conveyor Height (mm)	
BLS350	350	360	2,3,5	3000	700-1000	35
BLS450	450	460				45
BLS550	550	560				55
BLS650	650	660				65
BLS750	750	760				75
BLS950	950	960				95

## Standard

- Belt PVC, green or black color
- Frame --- carbon steel, powder coated
- Control  
Control panel, variable speed controller

## Optional

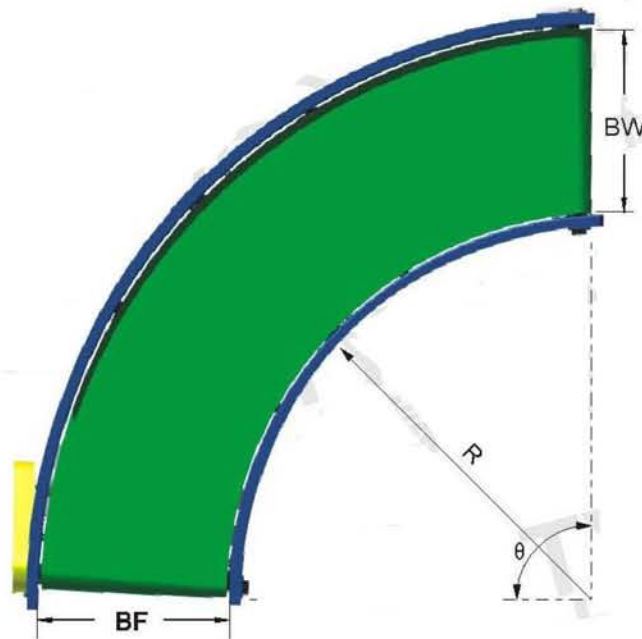
- Belt --- PU, food grade belt
- Frame --- stainless, aluminum extrusion
- Control  
Photo cell controls
- Fixed or adjustable guide rail

Customized model available

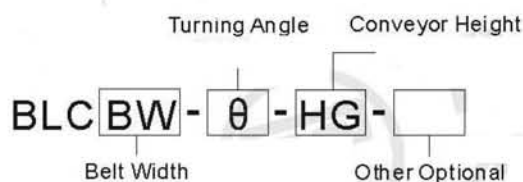


# TRANSPORTADOR CURVO DE TELA SOBRE CAMA DE POLINES

BLC/standard load capacity



Order NO: BLC450-90-750



Model	Belt			HG	θ	Loading Capacity (kg/m)
	BW Belt Width (mm)	BF Between Frame Width (mm)	Belt Thickness (mm)	Conveyor Height (mm)	Turning Angle (degree)	
BLC350	350	360	2,3,5	700-1000	45,90,180	35
BLC450	450	460				45
BLC550	550	560				55
BLC650	650	660				65
BLC750	750	760				75
BLC950	950	960				95

## Standard

- Belt PVC, green or black color
- Frame --- carbon steel, powder coated
- Control  
Control panel, variable speed controller

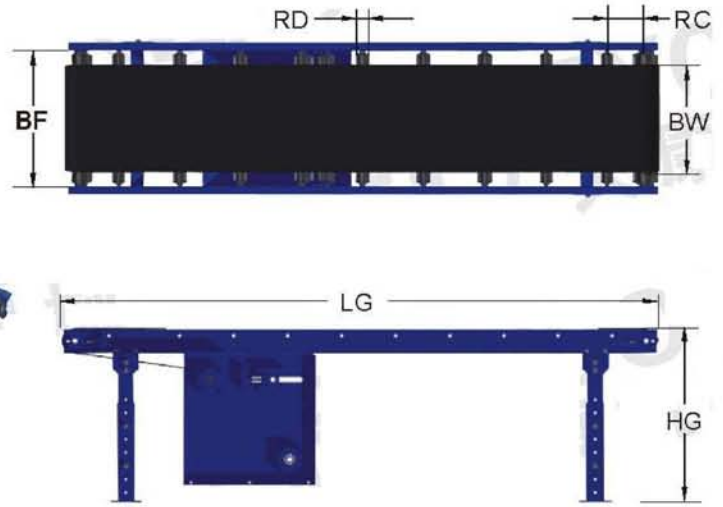
## Optional

- Belt --- PU, food grade belt
- Frame -- stainless, aluminum extrusion
- Control  
Photo cell controls

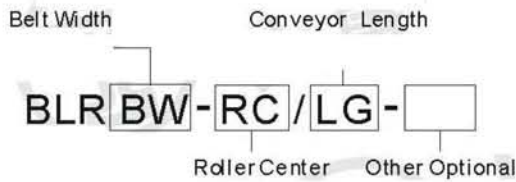
Customized model available

# TRANSPORTADOR DE TELA SOBRE CAMA DE POLINES

BLR/standard load capacity



Order NO: BLR500-75/3000



Model	RC	Belt			HG	Loading Capacity (kg/m)
	Roller Center (mm)	BW Belt Width (mm)	BF Between Frame Width (mm)	Belt Thickness (mm)	Conveyor Height (mm)	
BLR350	75,150,250	350	360	2,3,5	700-1000	35
BLR450		450	460			45
BLR550		550	560			55
BLR650		650	660			65
BLR750		750	760			75
BLR950		950	960			95

## Standard

- Belt PVC, green or black color
- Rollers ---  $\phi$  48.3mm carbon steel, zinc plated
- Frame --- carbon steel, powder coated
- Control  
Control panel, variable speed controller

## Optional

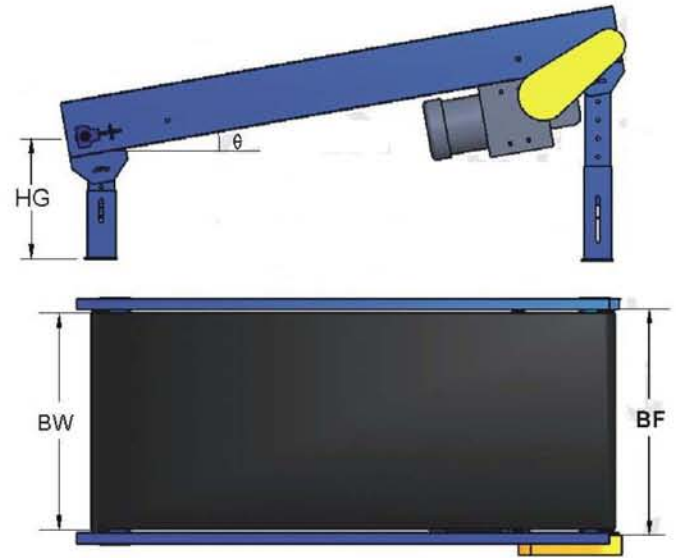
- Belt --- PU, food grade belt
- Rollers --- stainless, galvanized
- Frame --- stainless, aluminum extrusion
- Control  
Photo cell controls
- Fixed or adjustable guide rail

Customized model available

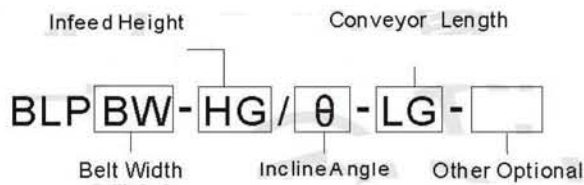


# TRANSPORTADOR DE TELA INCLINADO

BLP/standard load capacity



Order NO: BLP450-300/20-1500



Model	Belt		Belt Thickness (mm)	HG	θ	Loading Capacity (kg/m)
	BW Belt Width (mm)	BF Between Frame Width (mm)		Infeed Height (mm)	Incline Angle (degree)	
BLP350	350	360	2,3,5	250	20°,30°,45°	35
BLP450	450	460		350		45
BLP550	550	560		450		55
BLP650	650	660		550		65
BLP750	750	760		650		75
BLP950	950	960		750		95

## Standard

- Belt --- incline belt, black or green color
- Rollers --- carbon steel, zinc plated
- Frame --- carbon steel, powder coated
- Control  
Control panel, variable speed controller

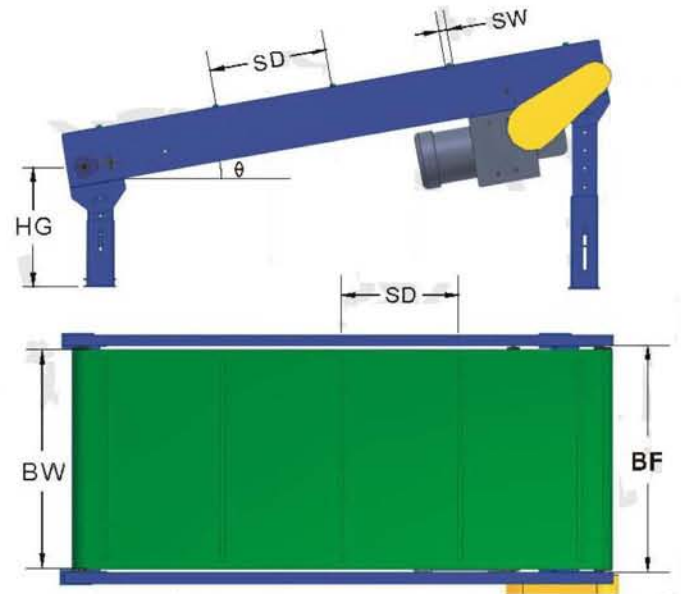
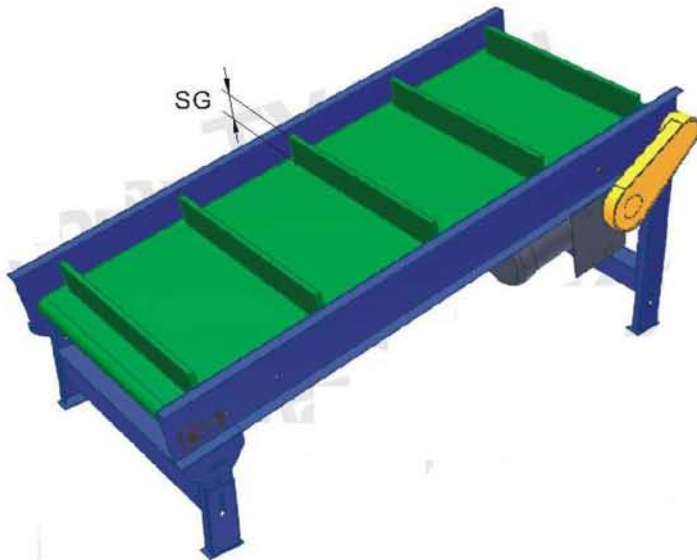
## Optional

- Belt --- PU, food grade belt
- Rollers --- stainless, galvanized
- Frame --- stainless, aluminum extrusion
- Control  
Photo cell controls
- Fixed or adjustable guide rail

Customized model available

# TRANSPORTADOR INCLINADO DE TELA CON EMPUJADORES

BLH/standard load capacity



Order NO: BLH450-500/30-3000

Infeed Height      Conveyor Length      Strip Height      Other Optional

BLH  BW -  HG /   $\theta$  -  LG -  SD /  SG -  SW -

Belt Width      Incline Angle      Strip Distance      Width

Model	Belt		Belt Strip			HG	$\theta$	Loading Capacity (kg/m)
	BW Belt Width (mm)	BF Between Frame Width (mm)	SD Distance (mm)	SG Height (mm)	SW Width (mm)	Infeed Height (mm)	Incline Angle (degree)	
BLH350	350	360	100	50,80,100	3,5,8,10	250	20°,30°,45°	10
BLH450	450	460	150			25		
BLH550	550	560	250			35		
BLH650	650	660	350			45		
BLH750	750	760	450			55		
BLH950	950	960	550			65		

## Standard

- Belt --- PVC belt with strip, green or black color
- Rollers --- carbon steel, zinc plated
- Frame --- carbon steel, powder coated
- Control  
Control panel, variable speed controller

## Optional

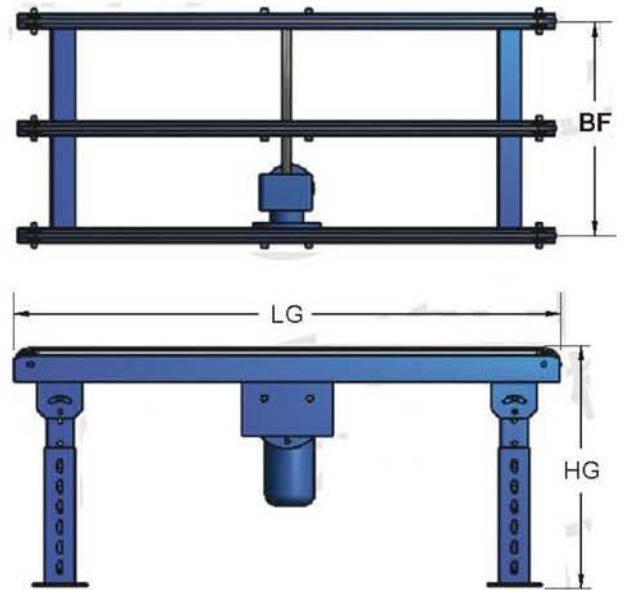
- Belt --- PU, food grade belt
- Rollers --- stainless, galvanized
- Frame --- stainless, aluminum extrusion
- Control  
Photo cell controls

Customized model available

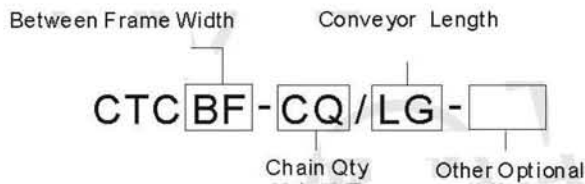


# TRANSPORTADOR DE CADENAS MOTORIZADO

## CTC/standard load capacity



**Order NO:** CTC550-3/3000



Model	BF	Chain Track	CQ	LG	HG	Loading Capacity (kg/m)
	Between Frame Width (mm)		Chain Qty (row)	Conveyor length (mm)	Conveyor Height (mm)	
CTC550	550	PE	2,3,4	3000	700-1000	300
CTC650	650					500
CTC750	750					700
CTC850	850	Steel				2500
CTC950	950					3000
CTC1050	1050					3500

### Standard

- Conveyor chain --- falt plate chain. carbon steel
- Frame --- carbon steel, powder coated
- Control  
Control panel, variable speed controller

### Optional

- Frame --- stainless
- Control  
Photo cell controls
- Other conveyor chain

**Customized model available**



## TRANSPORTADORES DE POLINES Y TELA

