

Also Available

Industrial Conveyor

www.modu-system.com



MODU D Series, Hygienic Applications



Slat Chain & Components

FOOD Services

www.modufood.com

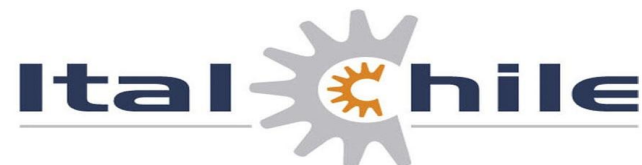


MODU S Series, Sushi Conveyor



Restaurant Equipments

MODU the modular conveyor company



VICTOR MANUEL 1528 - SANTIAGO
FONO-FAX: 56-2-5555123
E-MAIL: VENTAS@ITAL-CHILE.CL
WWW.ITAL-CHILE.CL

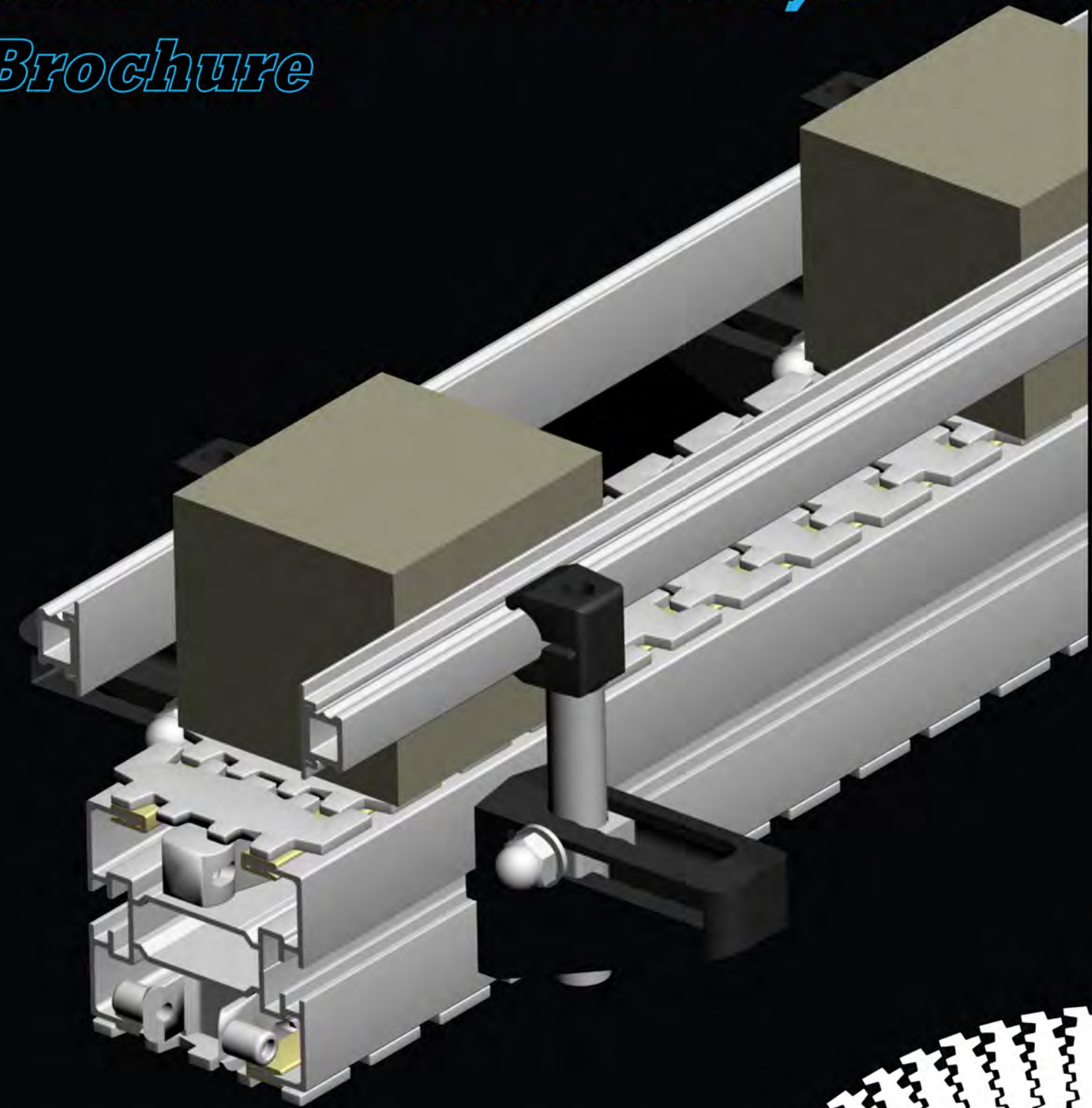


MODU System

the Modular Conveyor Company www.modu-system.com

Publication: MBE2009Jun

MODU M Series Conveyor Brochure



All product brands are registered trade marks of the respective manufactures.

A solution for every phase of your production line...



the modular conveyor company



MODU at Work

MODU standard components concept facilitates construction of standardized function blocks which occur frequently in many conveyor applications. When planning a new conveyor layout, always think MODU provides you quick & cost effective solutions in a number of industrial segments with extensive experience & comprehensive product range.



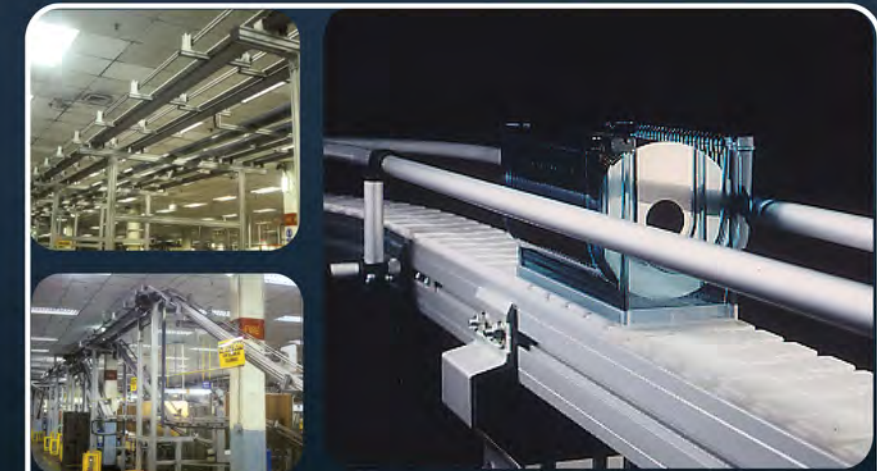
Food & Packaging Industry

- Tea
- Cereal
- Metal Can
- Paper Can
- Confectionery
- Juice
- Margarine
- Snack
- Biscuit
- Glass Bottle
- Soft Drink
- Ice Cream
- Crisp
- Sugar
- Chocolate Powder
- Yoghurt
- Milk Powder
- Instant Noodle
- Health Drink
- Juice



Personal Product, Pharmaceutical & Chemical Industry

- Soap Bar
- Powder Detergent
- Toothpaste
- Hair Care Product
- Insect Repellent
- Hospital Medical Dispenser
- Eye care product
- Body lotion
- Shower Cream
- Sanitary Napkin



Electronic & Electrical Industry

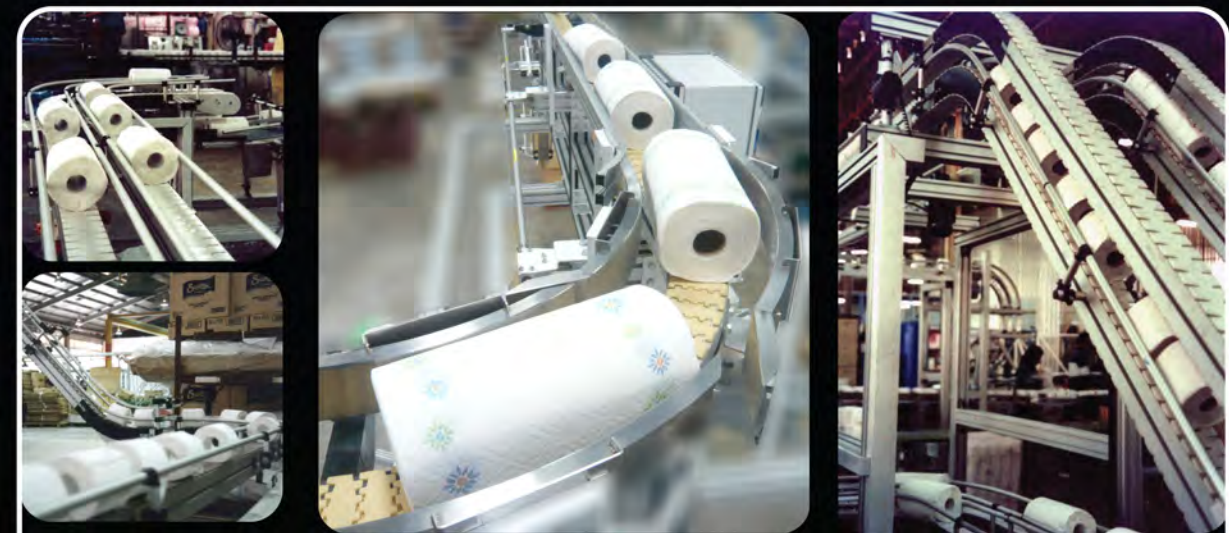
- Battery
- Substrate
- Hard Disk
- Cathode Ray Tube (CRT)
- Compact Disk
- Liquid Crystal Display (LCD)
- Mobile Phone
- Audio & Video



Automotive & Machined Part Industry

- Oil Filter
- Hard Disk Casing
- Bearing
- Door Winding Set
- Gear Wheel
- Air Conditioning Compressor

Flexible and Reliable Solution for Increased Productivity

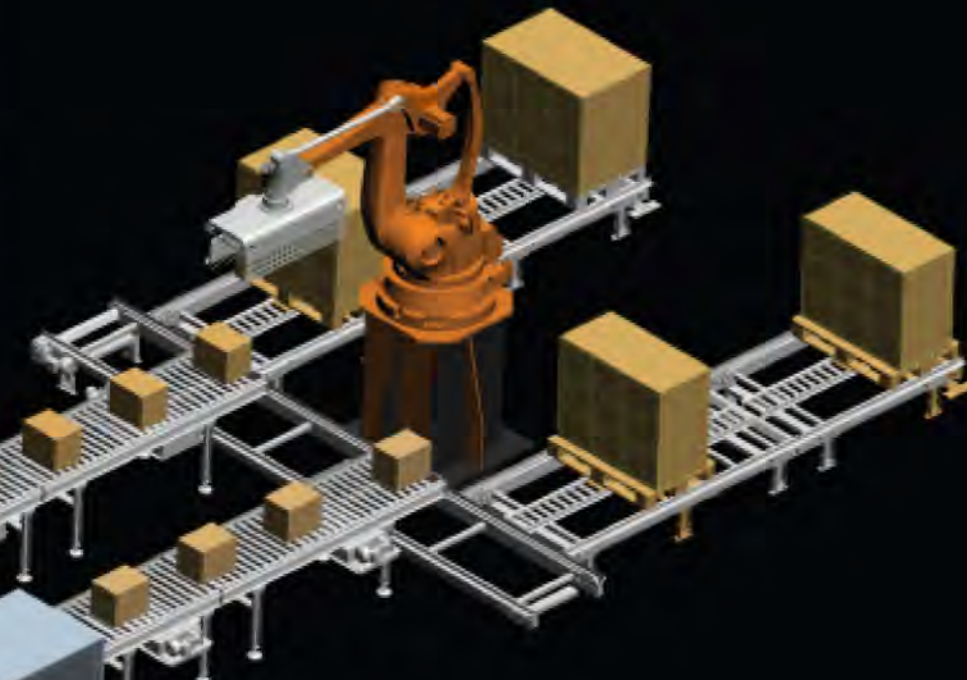
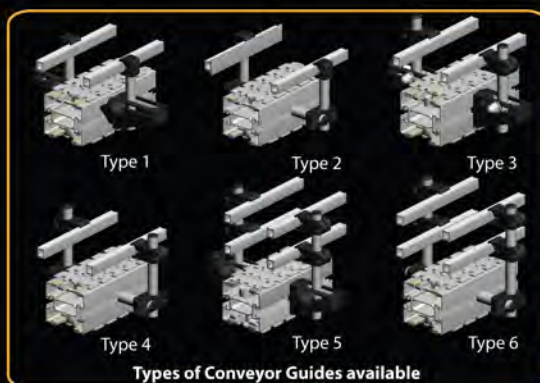
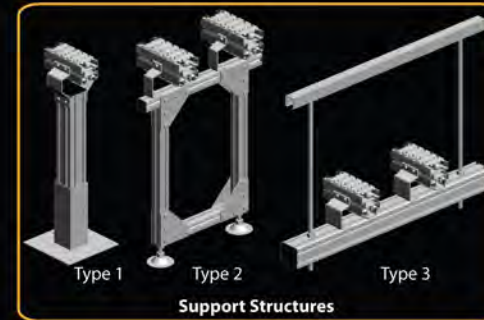


Paper Converting Industry

- Tissue Roll
- Kitchen Towel
- Wrapped Bag
- Wrapped Bundle

The Choice is Yours

The acetal co-polymer chain is the backbone of every MODU Conveyor designed to make sharp radius either horizontal or vertical with very low friction, low noise & high cleanliness. The conveyor beam, support structure, guide rail & some other accessories are made from anodized aluminium alloy. MODU provides various sizes of conveyors for different applications. The range of conveyor sizes starts from 63mm to 140mm chain.



Technical Data

	MS2	MM3	ML2
Chain width	63mm	83mm	140mm
Tensile strength at 20°C	3000N	5000N	6500N
Maximum working tension	500N	1000N	1300N
Working temperature	-20°C to 60°C	-20°C to 60°C	-20°C to 60°C
Standard running speed	3-50 m/min	3-50 m/min	3-50 m/min
Max. conveyor length (depend on layout)	30m	30m	30m
Minimum turning radius	140mm	160mm	200mm
Link spacing (Pitch)	25.4mm	33.5mm	44.45mm
Chain weight (plain chain)	0.75kg/m	1.2kg/m	1.9kg/m
Chain weight (friction chain)	0.75kg/m	1.22kg/m	1.92kg/m

Component Guide

Type / Model	MS2	MM3	ML2
Drive	Front, Combined, Intermediate, Catenary	Front, Combined, Intermediate, Catenary	Front, Combined, Intermediate, Catenary
Idler	End, 90	End, 90	End, 90
Chain	Plain, Friction, Cleated	Plain, Friction, Cleated, Gripper	Plain, Friction, Cleated
Horizontal Wheel Bend			
Radius 150mm	30°, 45°, 60°, 90°, 180°	-	-
Radius 160mm	-	30°, 45°, 60°, 90°, 180°	-
Radius 200mm	-	-	30°, 45°, 60°, 90°, 180°
Horizontal Plain Bend			
Radius 500mm	30°, 45°, 60°, 90°	30°, 45°, 60°, 90°	30°, 45°, 60°, 90°
Radius 700mm	30°, 45°, 60°, 90°	30°, 45°, 60°, 90°	30°, 45°, 60°, 90°
Radius 1000mm	30°, 45°, 60°, 90°	30°, 45°, 60°, 90°	30°, 45°, 60°, 90°
Vertical Bend			
Radius 300mm	5°, 7°, 15°, 25°, 45°, 90°	-	-
Radius 400mm	-	5°, 7°, 15°, 25°, 45°, 90°	5°, 7°, 15°, 25°, 45°, 90°
Radius 1000mm	25°, 45°, 90°	25°, 45°, 90°	25°, 45°, 90°

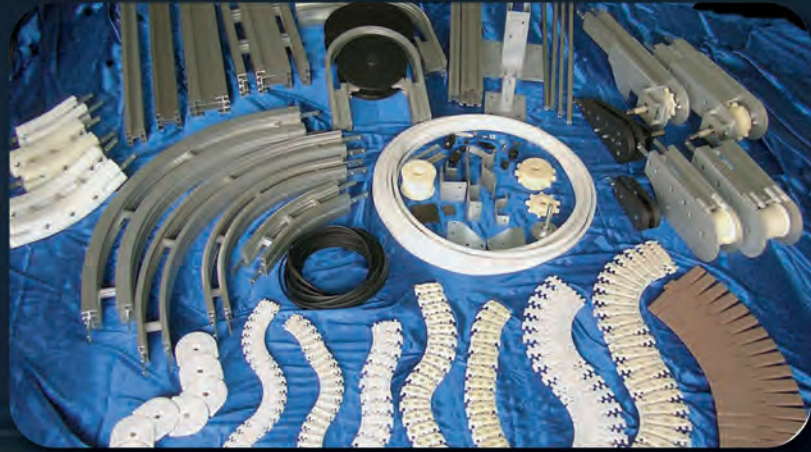
High quality solution for long-term cost reduction

Complete Industrial Solution available:

1. Puck Handling Solution
2. Paper Converting Solution
3. Composite Can Handling
4. Tobacco Handling Solution
5. Batteries Handling Solution
6. Tea Bag Handling Solution
7. Optical Handling Solution

A simple concept of Modular yet Flexible

MODU was established based on these concept to meet the ever increasing demand for conveyors that are easy to Install & Reconfigure, Highly Flexible, Reliable, having an Aesthetic look, Easy to transport and yet economical to own.



Standard Parts

Parts are made of lightweight materials, such as aluminium alloy and engineering plastics that are designed to fit together like pieces of jigsaw puzzle.

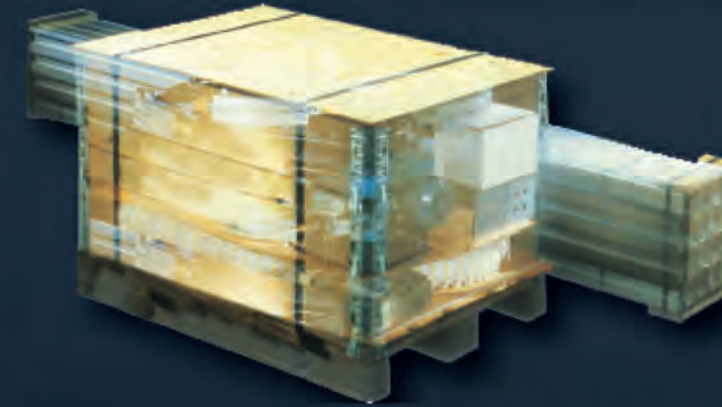
Technology that puts the Environment first

We work hard to keep our product pollution to the minimum by using renewable or recycled resources. MODU use materials like aluminium, POM, ABS and etc that are recycleable. Most of our parts are systematically coded to facilitate recovery & recycling. Our conveyor modular design encourages reusability even after layout reconfiguration hence extending product life cycle with very low carbon foot print throughout the manufacturing process.



Flat Pack

Flat Pack designed parts making storage & handling conveniently & hence allowed us to deliver & ship to any part of the world easily.



Your Creativity sets the Limit

The conventional conveyor system is normally the belt & roller which is difficult to install & dismantle, expensive to build and maintain and yet cannot be reconfigured. MODU Conveyor on the other hand is Modular and Flexible, which makes it more cost effective especially for long terms.

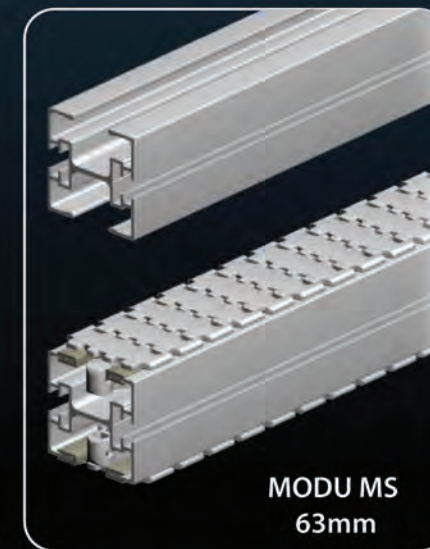
The straight, support, bend are made up of various pre-assembled components. Therefore a MODU Conveyor can be installed or reconfigured (realigned, extended or shortened) within a very short time-frame easily by using simple tools. Your creativity sets the limit for what MODU is comprehensive range of product could achieve.



3-Dimensional Layout

When space constraint is to our advantage, MODU conveyor makes the most out of limited factory space by utilizing overhead space.

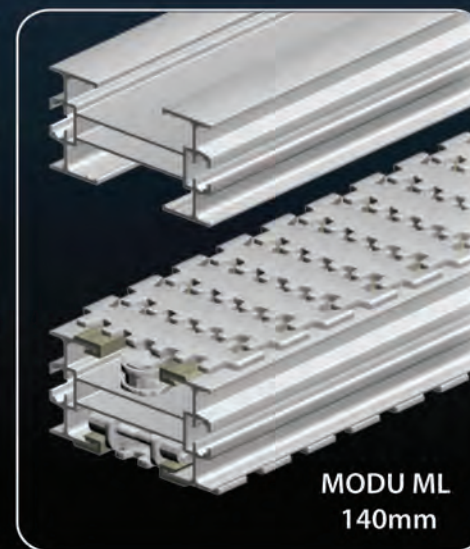
Standard Conveyor Sizes



MODU MS
63mm



MODU MM
83mm



MODU ML
140mm

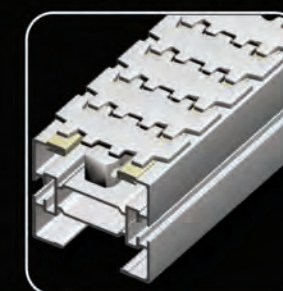
Innovation is a Never-Ending process

MODU is a growth oriented company driven by our ability to innovate product development & engineering application. We have pride in ourselves as an engineering business which provides Technical Expertise in providing conveying solutions. Our collective competence of in-house & out-sourcing enable us to respond to customer needs involving fresh challenges in system design & research is vital to enhance & develop the components better.

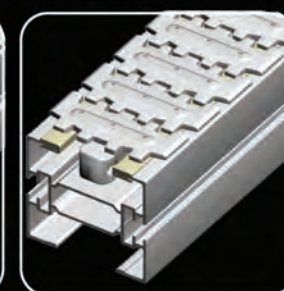


Chain Top Options

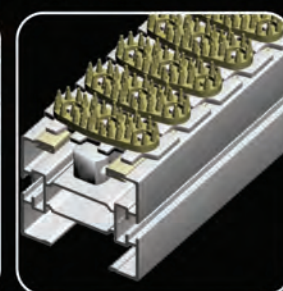
Multiple chain top options allows for a variety of applications. Standard chain material is POM, natural/ white colour.



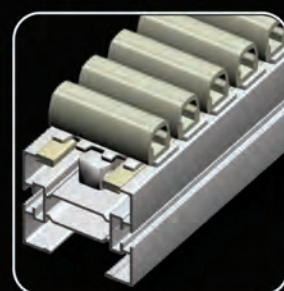
Plain Chain



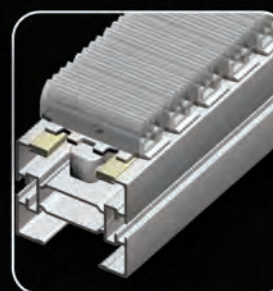
Friction Chain



Finger Gripper Chain



Box Gripper Chain



Wedge Gripper Chain

Other chain materials are also available upon request. Materials available are Anti-Static, and Kevlar.