



EQUIPOS DE TRANSMISIÓN DE POTENCIA

## POLINES GRAVITACIONALES

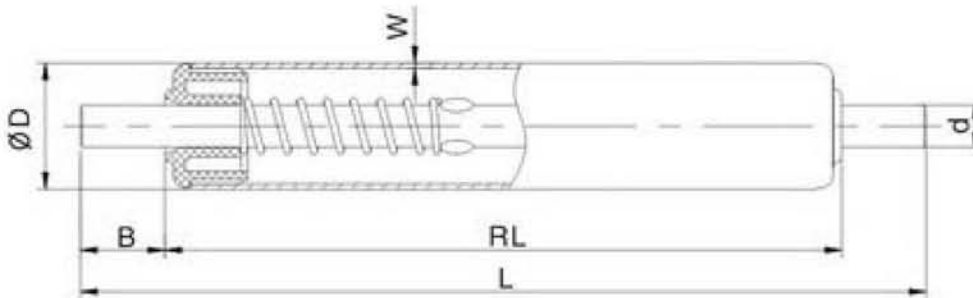




# RODILLOS GRAVITACIONALES

$\phi D \times W = 19 \times 1mm (0.75" \times 0.039")$

Code = **BS190/PL171**



Roller Capacity	
RL(mm)	Capacity(kg)
150	4
250	4
300	4
400	4

## Description:

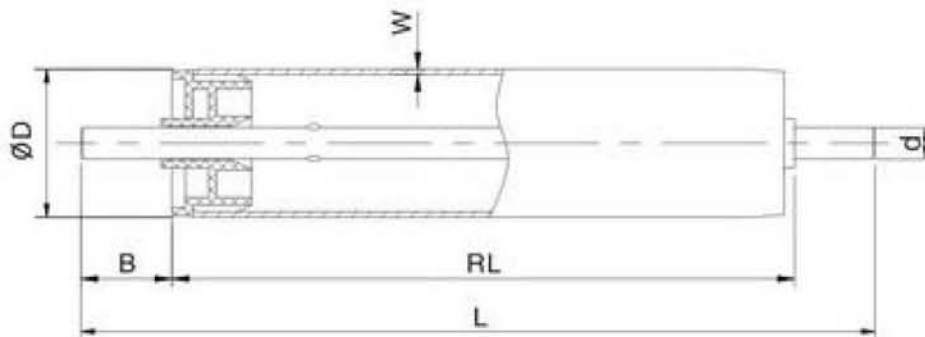
**Tube Material:** Aluminum  
**Finished:** Anodized  
**Shaft(d):**  $\phi 6mm$

PL171-0600



$\phi D \times W = 22 \times 0.64mm (0.87" \times 0.025")$

Code = **BS220/PL208**



Roller Capacity	
RL(mm)	Capacity(kg)
150	4
250	4
300	4
400	4

## Description:

**Tube Material:** Aluminum  
**Finished:** Anodized  
**Shaft(d):**  $\phi 3/16" mm$   
**(d):**  $\phi 4.76mm$

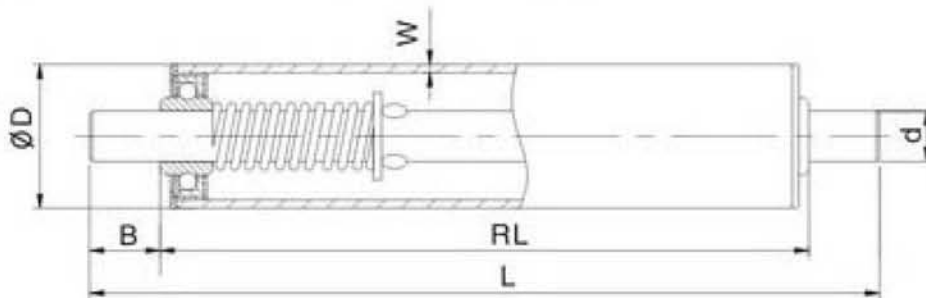
PL208-0500





$\phi D \times W = 26 \times 1.5\text{mm} (1.02" \times 0.059")$

Code = **BS260/FB231**



Roller Capacity	
RL(mm)	Capacity(kg)
200	30
300	30
400	30
500	30
600	30

**Description:**

**Tube Material:** Carbon Steel, Stainless optional

**Finished:** Zinc Plated, Galvanized

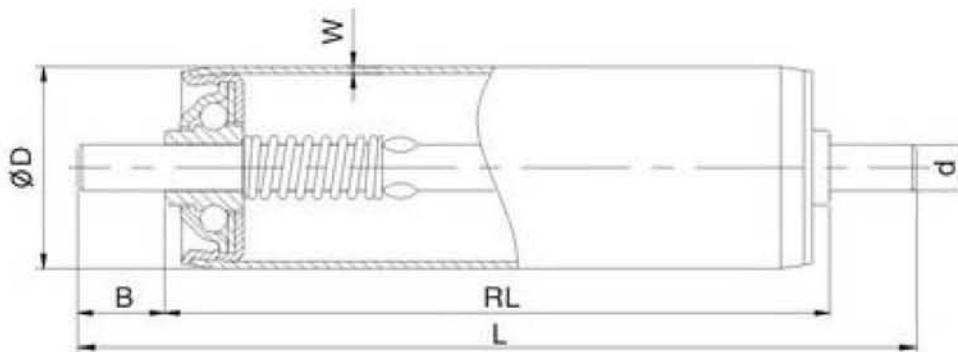
**Shaft(d):**  $\phi 10\text{mm}$

FB231-0800H



$\phi D \times W = 35 \times 1.2\text{mm} (1.38" \times 0.047")$

Code = **BS350/HM325**



Roller Capacity	
RL(mm)	Capacity(kg)
200	45
350	45
500	40
650	35
750	30

**Description:**

**Tube Material:** Carbon Steel, Stainless optional

**Finished:** Zinc Plated, Galvanized

**Shaft(d):**  $\phi 1/4"$ mm, 7.9mm(Hex)  
(d):  $\phi 6.35\text{mm}$ , 7.9mm

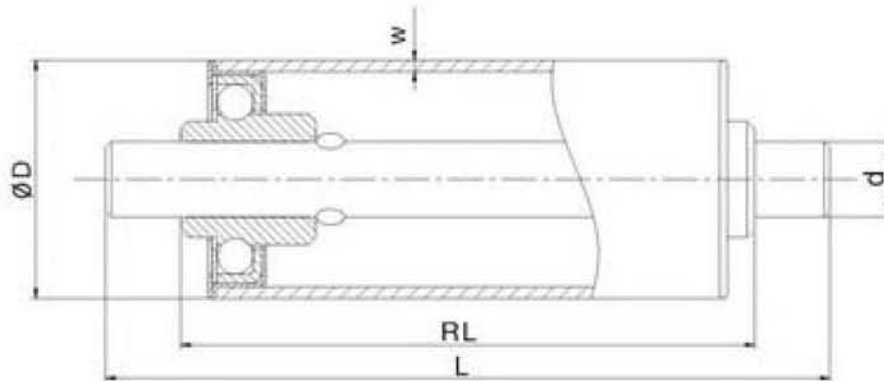
HM325-0800H





$\phi D \times W = 38 \times 1.2\text{mm} (1.5" \times 0.047")$

Code = **BS380/FA287**



Roller Capacity	
RL(mm)	Capacity(kg)
200	55
350	55
500	50
650	45
750	40

**Description:**

**Tube Material:** Carbon Steel

**Finished:** Powder Coated

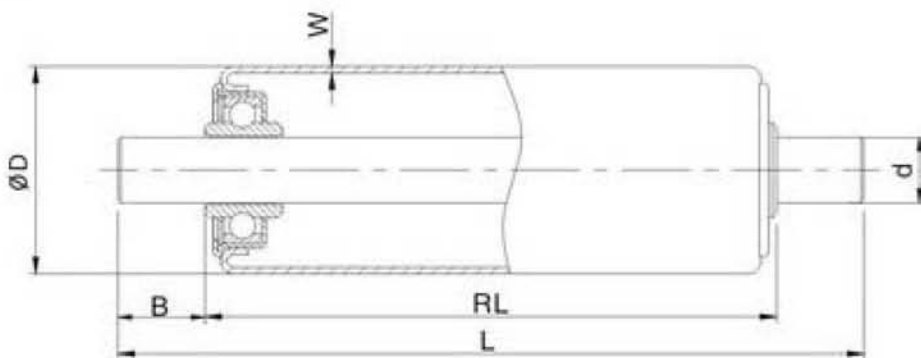
**Shaft(d):**  $\phi 8, 10\text{mm}$

FA287-1000



$\phi D \times W = 38 \times 1.2\text{mm} (1.5" \times 0.047")$

Code = **BS380/FB287**



Roller Capacity	
RL(mm)	Capacity(kg)
200	55
350	55
500	50
650	45
750	35

**Description:**

**Tube Material:** Carbon Steel, Stainless optional

**Finished:** Zinc Plated, Galvanized, Rubber Coated

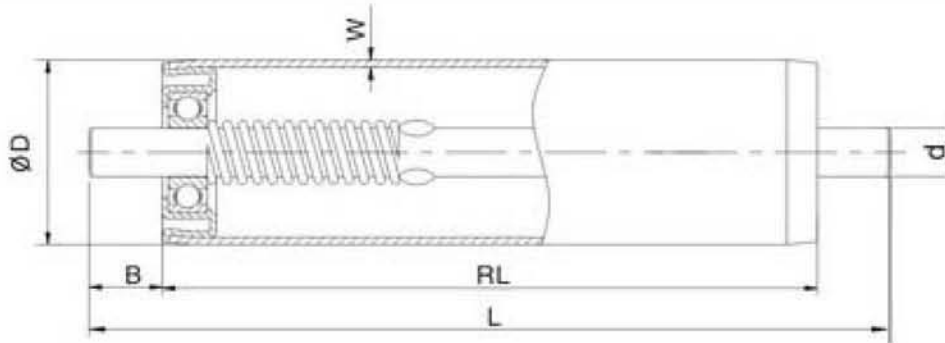
**Shaft(d):**  $\phi 10, 12\text{mm}, 11.1\text{mm(Hex)}$

FB287-1200



$\phi D \times W = 38 \times 1.2\text{mm} (1.5" \times 0.047")$

Code = **BS380/HB350**



Roller Capacity	
RL(mm)	Capacity(kg)
200	65
350	65
500	65
650	55
750	45

**Description:**

**Tube Material:** Carbon Steel, Stainless optional

**Finished:** Zinc Plated, Galvanized

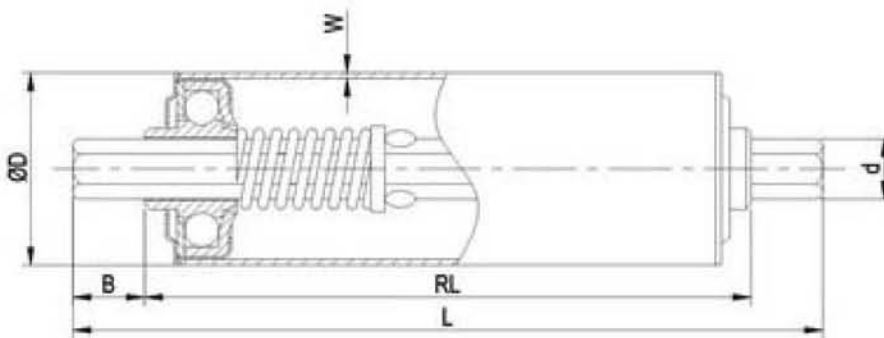
**Shaft(d):**  $\phi 10, 12\text{mm}$

HB350-1200



$\phi D \times W = 40 \times 1.2\text{mm} (1.57" \times 0.047")$

Code = **BS400/FA381**



Roller Capacity	
RL(mm)	Capacity(kg)
200	65
350	65
500	65
650	55
750	45

**Description:**

**Tube Material:** Carbon Steel

**Finished:** Powder Coated

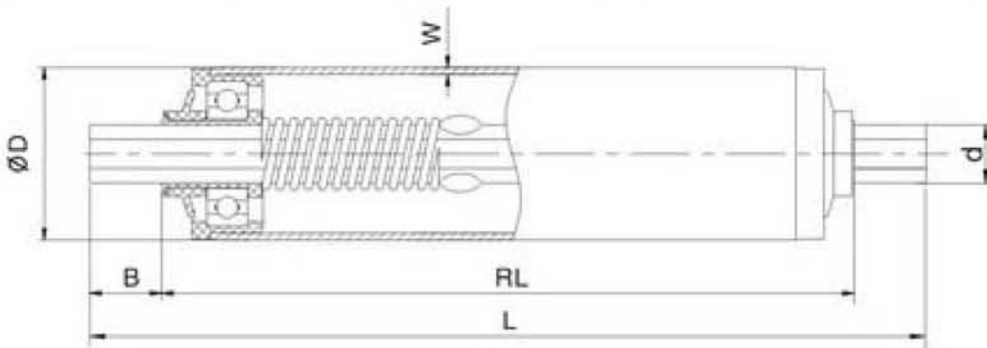
**Shaft(d):**  $\phi 8, 10\text{mm}$

FA381-1100H



$\phi D \times W = 40 \times 2.5\text{mm}$  (1.57"  $\times$  0.098")

Code = **BS400/PL350**



Roller Capacity	
RL(mm)	Capacity(kg)
200	150
350	150
500	140
650	130
750	120

**Description:**

**Tube Material:** Carbon Steel, Stainless optional

**Finished:** Zinc Plated, Galvanized

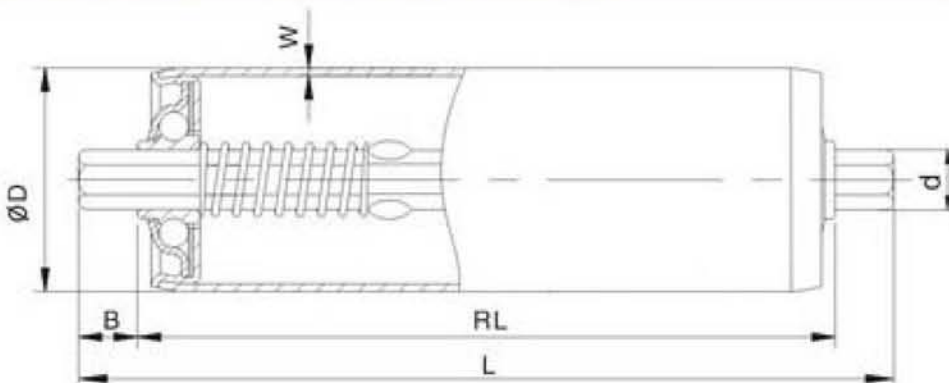
**Shaft(d):**  $\phi 10, 12\text{mm}, 11.1\text{mm}$  Hex

PL350-1100H



$\phi D \times W = 48.3 \times 1.65\text{mm}$  (1.9"  $\times$  0.065")

Code = **BS483/HM450**



Roller Capacity	
RL(mm)	Capacity(kg)
250	120
500	120
750	120
1000	110

**Description:**

**Tube Material:** Carbon Steel, Stainless optional

**Finished:** Zinc Plated, Galvanized

**Shaft(d):**  $\phi 10, 12\text{mm}, 11.1\text{mm}$  Hex

HM450-1100H

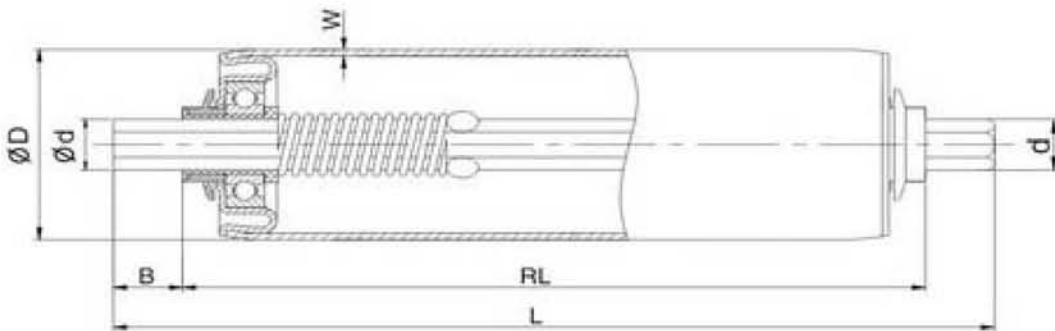






$\phi D \times W = 48.3 \times 1.65\text{mm} (1.9" \times 0.065")$

Code = **BS483/HP452**



Roller Capacity	
RL(mm)	Capacity(kg)
250	150
500	150
750	150
1000	140

**Description:**

**Tube Material:** Carbon Steel, Stainless optional

**Finished:** Zinc Plated, Galvanized

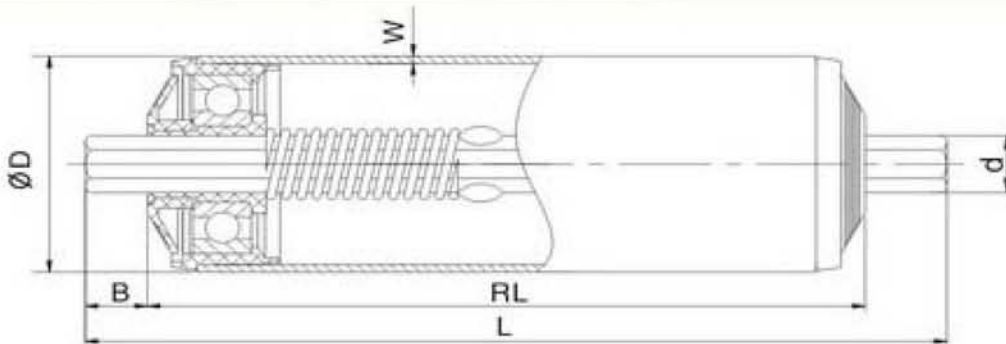
**Shaft(d):**  $\phi 10, 12\text{mm}, 11.1\text{mm}(7/16" \text{ Hex})$

HP452-1100H



$\phi D \times W = 48.3 \times 1.65\text{mm} (1.9" \times 0.065")$

Code = **BS483/PL452**



Roller Capacity	
RL(mm)	Capacity(kg)
250	150
500	150
750	150
1000	140

**Description:**

**Tube Material:** Carbon Steel, Stainless optional

**Finished:** Zinc Plated, Galvanized

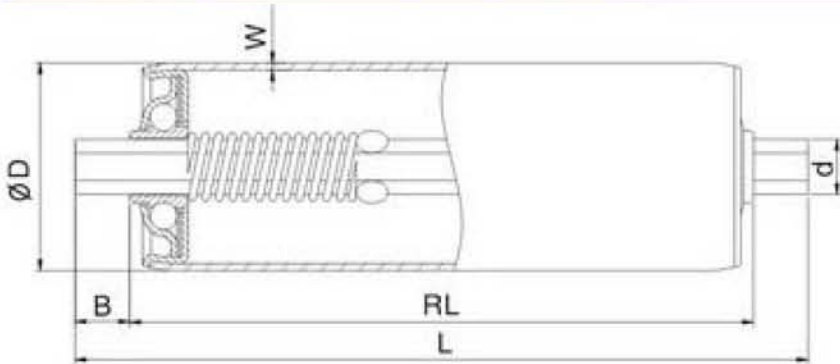
**Shaft(d):**  $\phi 10, 12, 12.7\text{mm}, 11.1\text{mm}(7/16" \text{ Hex})$

PL452-1100H



$\phi D \times W = 48.3 \times 1.9\text{mm}$  (1.9" x 0.075")

Code = **BS483/HM445**



Roller Capacity	
RL(mm)	Capacity(kg)
250	120
500	120
750	120
1000	110

**Description:**

**Tube Material:** Carbon Steel. Stainless optional

**Finished:** Zinc Plated, Galvanized

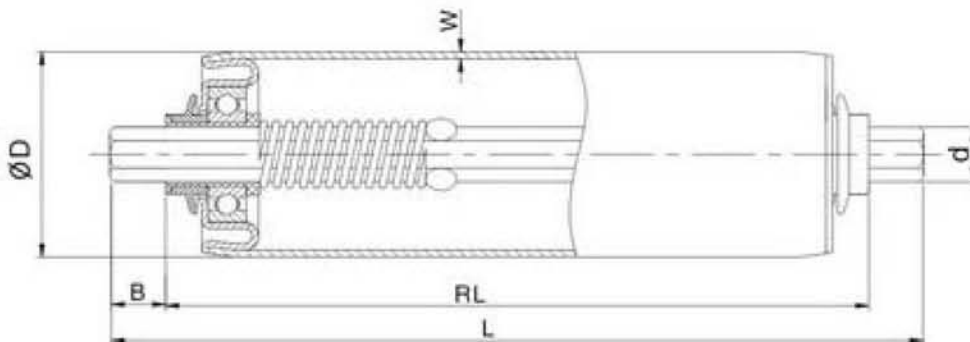
**Shaft(d):**  $\phi 10, 12, 12.7\text{mm}, 11.1\text{mm}$  (7/16" Hex)

HM445-1100H



$\phi D \times W = 48.3 \times 1.9\text{mm}$  (1.9" x 0.075")

Code = **BS483/HP445**



Roller Capacity	
RL(mm)	Capacity(kg)
250	160
500	160
750	160
1000	140

**Description:**

**Tube Material:** Carbon Steel, Stainless optional

**Finished:** Zinc Plated, Galvanized

**Shaft(d):**  $\phi 10, 12\text{mm}, 11.1\text{mm}$  (7/16" Hex)

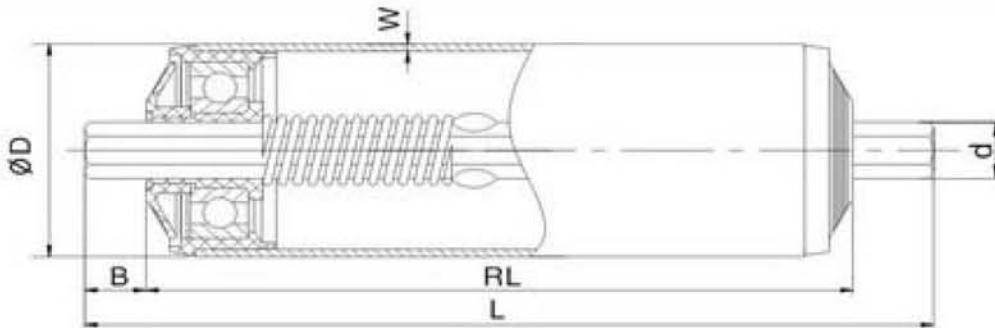
HP445-1100H





$\phi D \times W = 48.3 \times 1.9\text{mm}$  (1.9" x 0.075")

Code = **BS483/PL445**



Roller Capacity	
RL(mm)	Capacity(kg)
250	160
500	160
750	160
1000	140

### Description:

**Tube Material:** Carbon Steel, Stainless optional

**Finished:** Zinc Plated, Galvanized

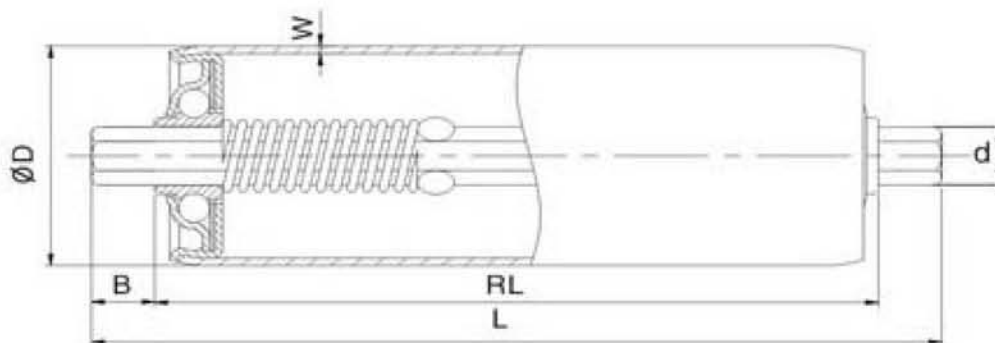
**Shaft(d):**  $\phi 10, 12\text{mm}, 11.1\text{mm}$  (7/16" Hex)

PL445-1100H



$\phi D \times W = 48.3 \times 2.3\text{mm}$  (1.9" x 0.091")

Code = **BS483/HM437**



Roller Capacity	
RL(mm)	Capacity(kg)
500	140
750	140
1000	140
1250	120

### Description:

**Tube Material:** Carbon Steel, Stainless optional

**Finished:** Zinc Plated, Galvanized

**Shaft(d):**  $\phi 10, 12\text{mm}, 11.1\text{mm}$  (7/16" Hex)

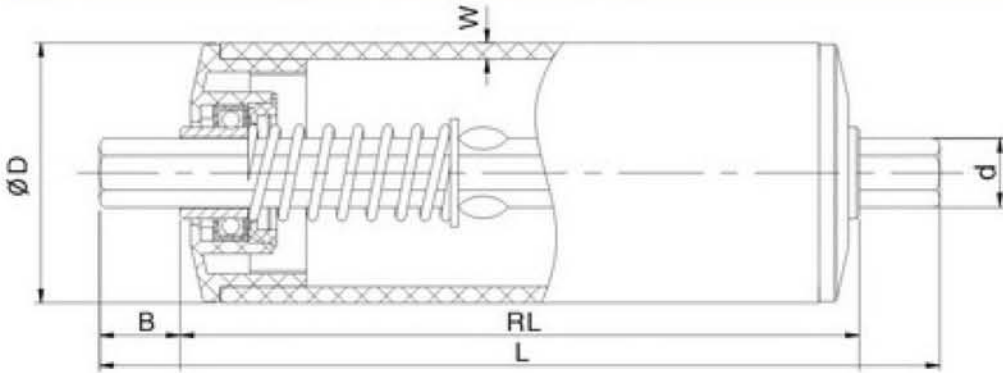
HM437-1100H





$\phi D \times W = 48.3 \times 3mm (1.9" \times 0.118")$

Code = **BS483/PL419**



Roller Capacity	
RL(mm)	Capacity(kg)
200	36
350	36
500	36
650	30
750	25

**Description :**

Tube Material: PVC

Color Optional: Burge

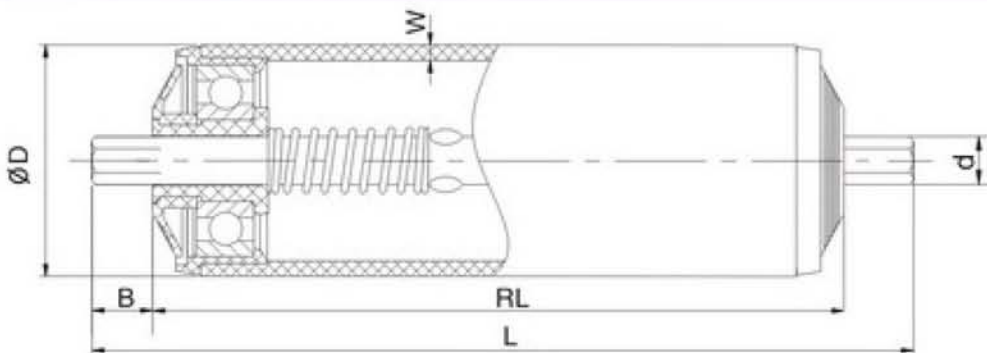
Shaft(d): 7/16" Hex

PL419-1100H(PL165-0700H)



$\phi D \times W = 48.3 \times 3.2mm (1.9" \times 0.126")$

Code = **BS483/PL432**



Roller Capacity	
RL(mm)	Capacity(kg)
200	52
350	52
500	52
650	45
750	35

**Description :**

Tube Material: PVC

Color Optional: Burge

Shaft(d):  $\phi 12, 7/16"$  Hex

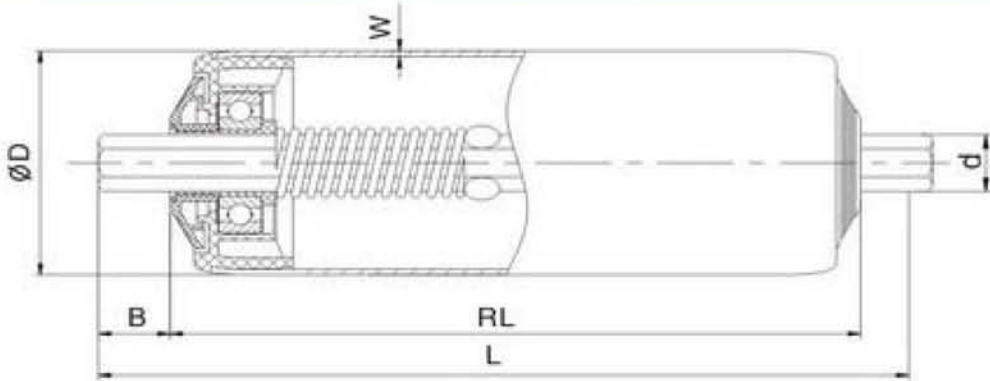
PL432-1100H





$\phi D \times W = 50 \times 1.3\text{mm}$  (1.97" x 0.051")

Code = **BS500/PL485**



Roller Capacity	
RL(mm)	Capacity(kg)
250	140
500	140
750	130
1000	120

**Description:**

**Tube Material:** Carbon Steel, Stainless optional

**Finished:** Zinc Plated, Galvanized

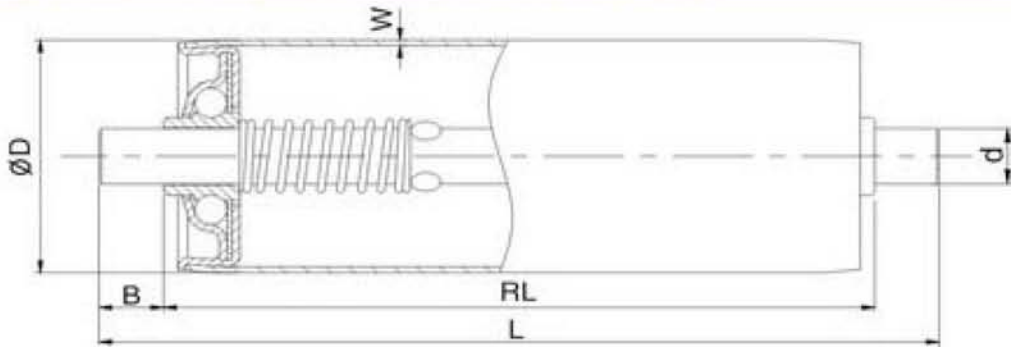
**Shaft(d):**  $\phi 10, 12\text{mm}, 11.1\text{mm}$  (7/16" Hex)

PL485-1000



$\phi D \times W = 50.8 \times 1.65\text{mm}$  (1.97" x 0.065")

Code = **BS500/HM475**



Roller Capacity	
RL(mm)	Capacity(kg)
250	120
500	120
750	120
1000	110
1250	100

**Description:**

**Tube Material:** Carbon Steel, Stainless optional

**Finished:** Zinc Plated, Galvanized

**Shaft(d):**  $\phi 10, 12\text{mm}, 11.1\text{mm}$  (7/16" Hex)

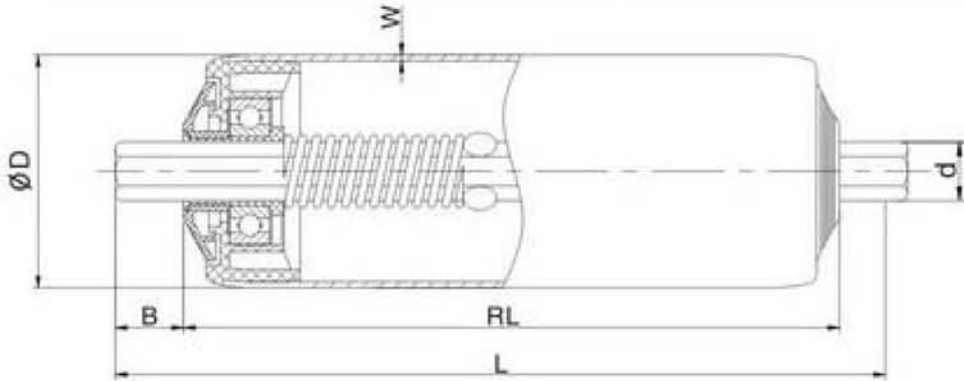
HM475-0800







$\phi D \times W = 50 \times 1.5mm (1.97" \times 0.059")$  Code = **BS500/PL470**



Roller Capacity	
RL(mm)	Capacity(kg)
500	140
750	140
1000	140
1250	130
1500	120

**Description:**

**Tube Material:** Carbon Steel, Stainless optional

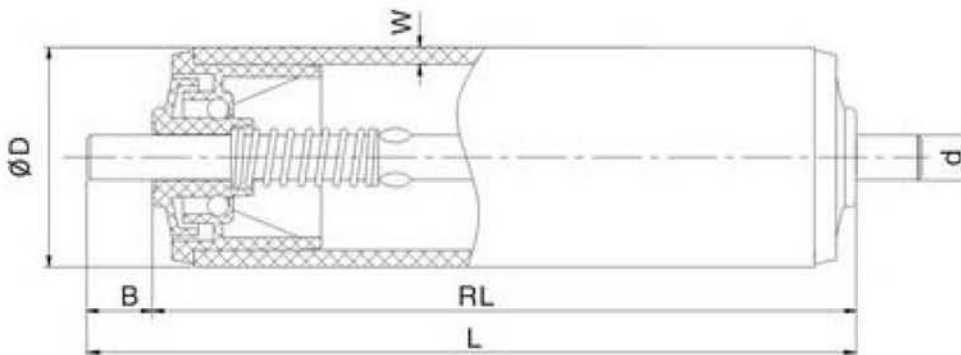
**Finished:** Zinc Plated, Galvanized

**Shaft(d):**  $\phi 10, 12mm, 11.1mm$ (hex)

PL470-0800



$\phi D \times W = 50 \times 4mm (1.97" \times 0.158")$  Code = **BS500/PL460**



Roller Capacity	
RL(mm)	Capacity(kg)
200	20
350	20
500	20
650	20
750	20

**Description:**

**Tube Material:** PVC

**Color Optional:** Burge

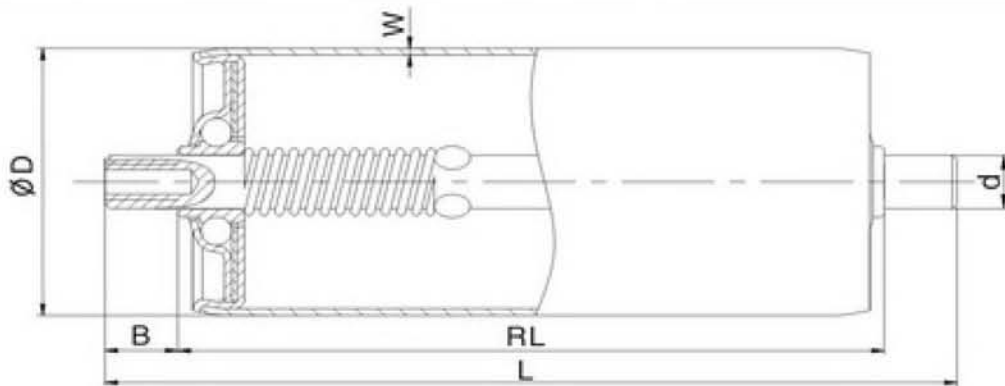
**Shaft(d):**  $\phi 10, 12mm, 11.1mm$ (7/16" Hex)

PL460-0800



$\phi D \times W = 60 \times 1.5\text{mm}$  (2.36" x 0.059")

Code = **BS600/HM570**



Roller Capacity	
RL(mm)	Capacity(kg)
250	120
500	120
750	120
1000	110
1250	100

**Description:**

**Tube Material:** Carbon Steel, Stainless optional

**Finished:** Zinc Plated, Galvanized

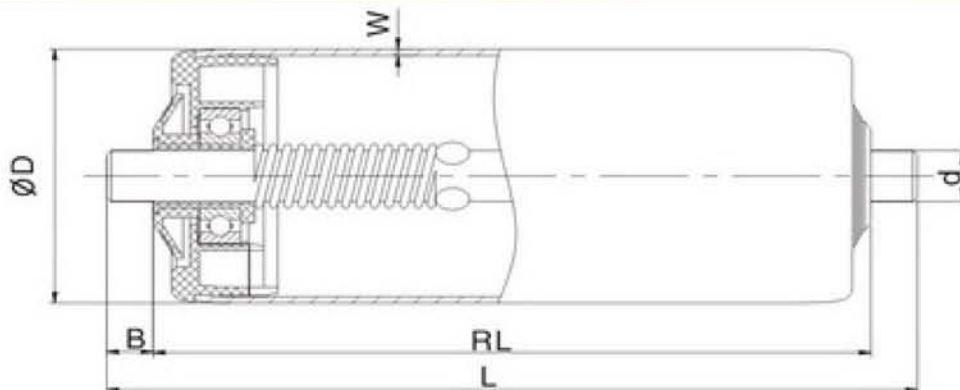
**Shaft(d):**  $\phi 10, 12, 15\text{mm}, 11.1\text{mm}$  (7/16" Hex)

HM570-1200



$\phi D \times W = 60 \times 1.5\text{mm}$  (2.36" x 0.059")

Code = **BS600/PL570**



Roller Capacity	
RL(mm)	Capacity(kg)
500	150
750	150
1000	150
1250	130
1500	110

**Description:**

**Tube Material:** Carbon Steel, Stainless optional

**Finished:** Zinc Plated, Galvanized, Rubber Coated

**Shaft(d):**  $\phi 10, 12\text{mm}, 11.1\text{mm}$  (7/16" Hex)

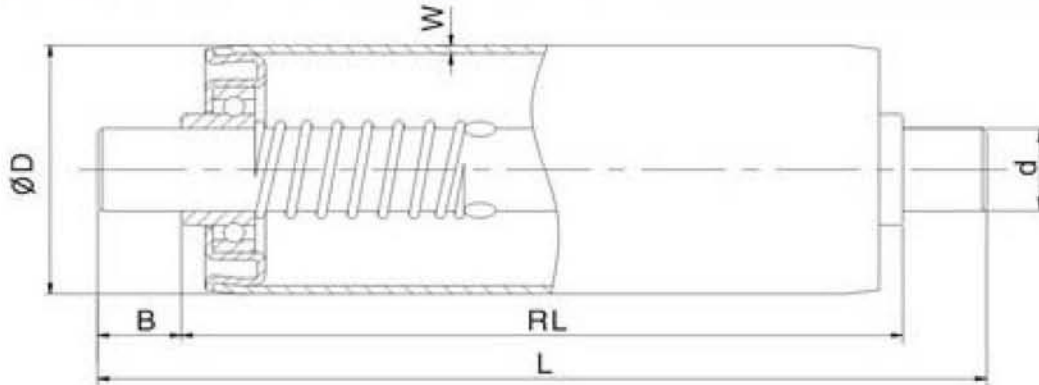
PL570-1000





$\phi D \times W = 60 \times 2mm (2.36" \times 0.079")$

Code = **BS600/HB560**



Roller Capacity	
RL(mm)	Capacity(kg)
500	180
750	180
1000	180
1250	180
1500	160

**Description:**

**Tube Material:** Carbon Steel, Stainless optional

**Finished:** Zinc Plated, Galvanized, Rubber Coated

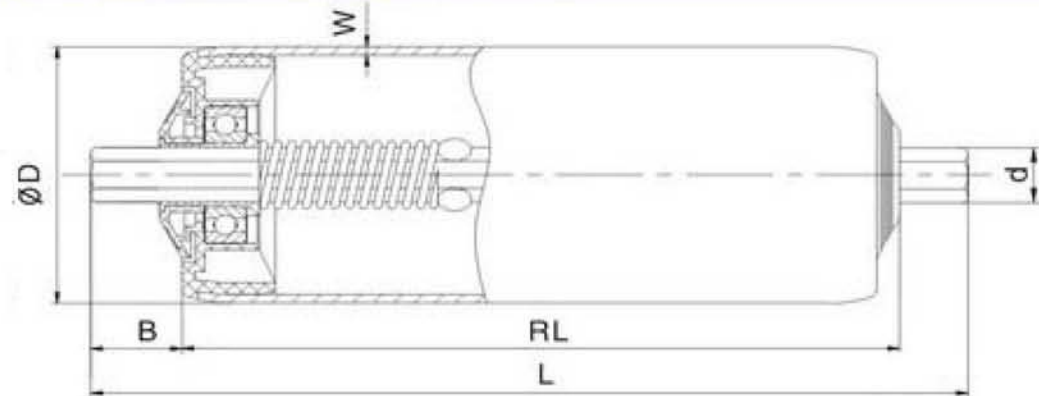
**Shaft(d):**  $\phi 10, 12, 15mm$

HB560-1200



$\phi D \times W = 60 \times 2mm (2.36" \times 0.079")$

Code = **BS600/PL560**



Roller Capacity	
RL(mm)	Capacity(kg)
500	180
750	180
1000	160
1250	150
1500	140

**Description:**

**Tube Material:** Carbon Steel, Stainless optional

**Finished:** Zinc Plated, Galvanized

**Shaft(d):**  $\phi 10, 12mm, 11.1mm(7/16" \text{ Hex})$

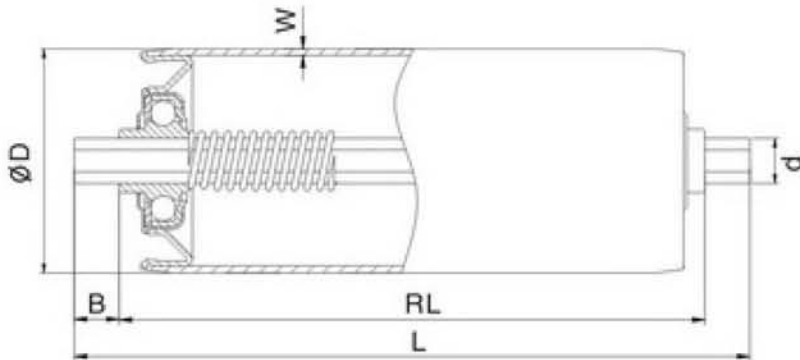
PL560-1200







$\phi D \times D_2 = 63.5 \times 1.9mm (2.5" \times 0.075")$  Code = **BS635/HA599**



Roller Capacity	
RL(mm)	Capacity(kg)
500	150
750	150
1000	150
1250	150
1500	130

**Description:**

**Tube Material:** Carbon Steel, Stainless optional

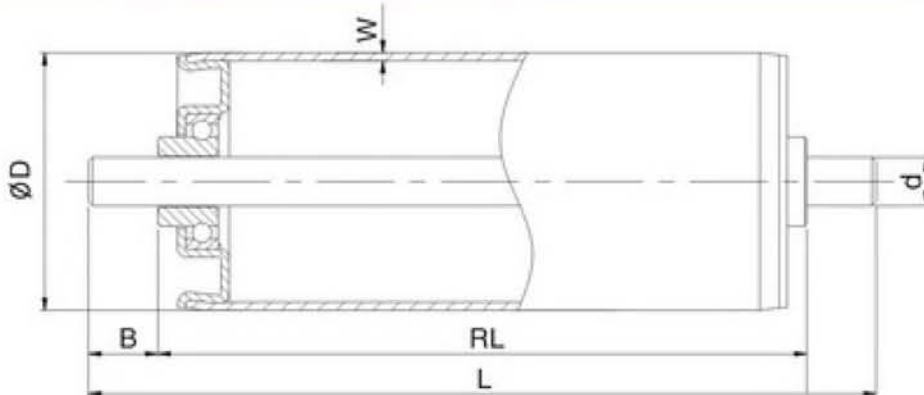
**Finished:** Zinc Plated, Galvanized

**Shaft(d):** 7/16" Hex

HA599-1100H



$\phi D \times W = 63.5 \times 2mm (2.5" \times 0.079")$  Code = **BS635/HB598**



Roller Capacity	
RL(mm)	Capacity(kg)
500	160
750	160
1000	160
1250	160
1500	150

**Description:**

**Tube Material:** Carbon Steel, Stainless optional

**Finished:** Zinc Plated, Galvanized

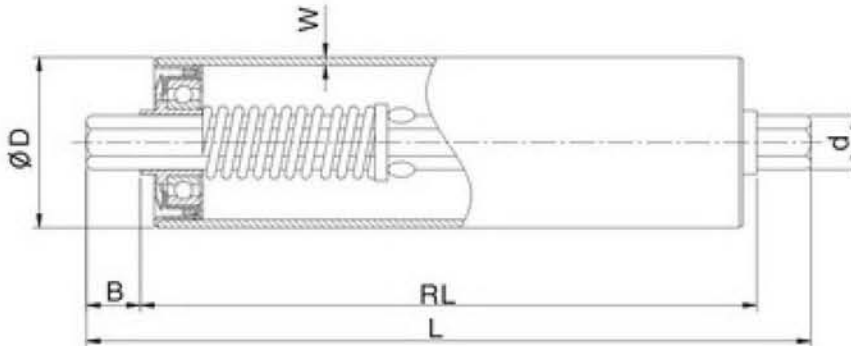
**Shaft(d):**  $\phi 10, 12, 15mm, 11.1mm$ (Hex)

HB598-1100H



$\phi D \times W = 63.5 \times 3mm (2.5" \times 0.118")$

Code = **BS635/HP577**



Roller Capacity	
RL(mm)	Capacity(kg)
500	490
750	490
1000	490
1250	490
1500	470

HP577-1800H



**Description:**

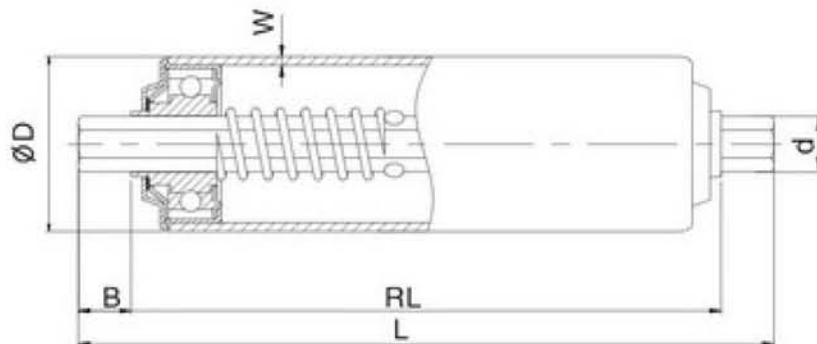
Tube Material: Carbon Steel, Stainless optional

Finished: Zinc Plated, Galvanized

Shaft(d): 7/16", 11/16" Hex

$\phi D \times W = 63.5 \times 3mm (2.5" \times 0.118")$

Code = **BS635/FB577**



Roller Capacity	
RL(mm)	Capacity(kg)
500	490
750	490
1000	490
1250	490
1500	470

FB577-1800H



**Description:**

Tube Material: Carbon Steel, Stainless optional

Finished: Zinc Plated, Galvanized, Rubber Coated

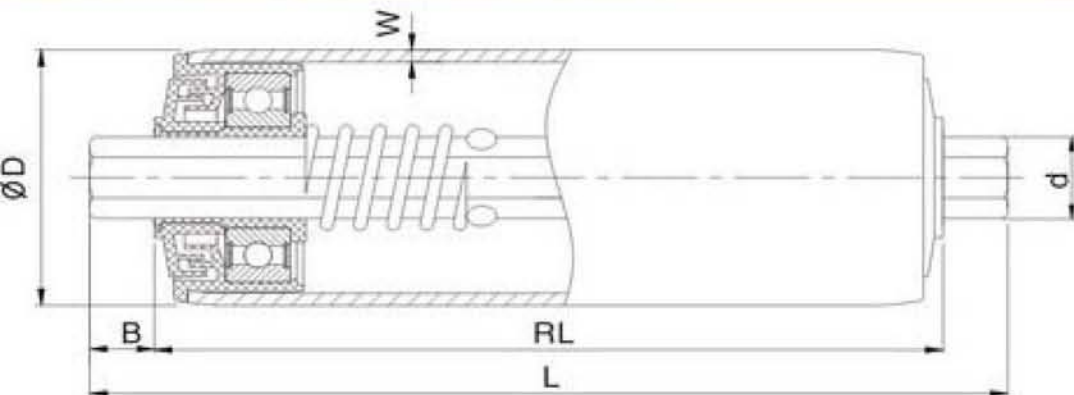
Shaft(d): 5/8", 11/16" (Hex)



# RODILLOS GRAVITACIONALES

$\phi D \times W = 63.5 \times 3mm (2.5" \times 0.118")$

Code = **BS635/PL577**



Roller Capacity	
RL(mm)	Capacity(kg)
500	250
750	250
1000	250
1250	230
1500	210

PL577-1700H



## Description:

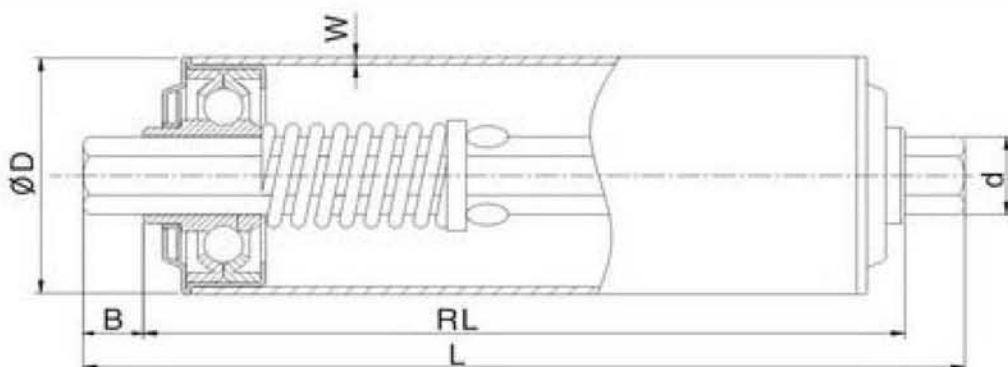
**Tube Material:** Carbon Steel, Stainless optional

**Finished:** Zinc Plated, Galvanized, Rubber Coated

**Shaft(d):** 5/8", 11/16" (Hex)

$\phi D \times W = 63.5 \times 3mm (2.5" \times 0.118")$

Code = **BS635/FM577**



Roller Capacity	
RL(mm)	Capacity(kg)
500	250
750	250
1000	230
1250	210
1500	190

FM577-1700H



## Description:

**Tube Material:** Carbon Steel, Stainless optional

**Finished:** Zinc Plated, Galvanized, Rubber Coated

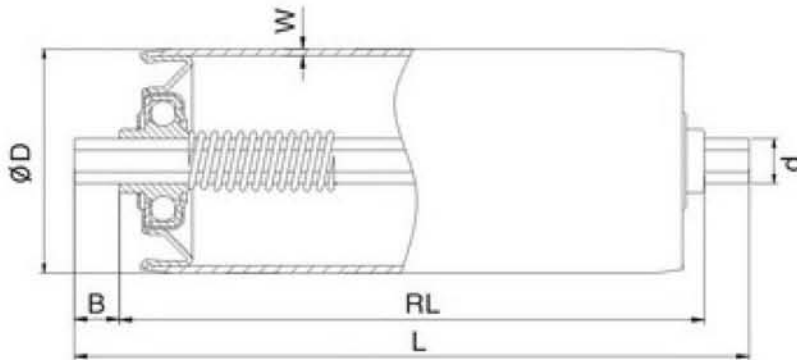
**Shaft(d):** 5/8", 11/16" (Hex)



# RODILLOS GRAVITACIONALES

$\phi D \times W = 63.5 \times 3mm (2.5" \times 0.12")$

Code = **BS635/HA577**



Roller Capacity	
RL(mm)	Capacity(kg)
750	150
1000	150
1250	150
1500	150
1750	130

## Description:

**Tube Material:** Carbon Steel, Stainless optional

**Finished:** Zinc Plated, Galvanized

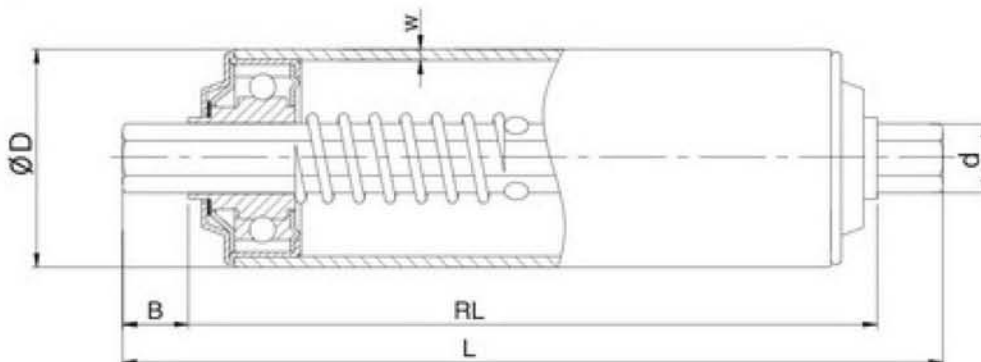
**Shaft(d):** 7/16" Hex

HA577-1100H



$\phi D \times W = 63.5 \times 3.2mm (2.5" \times 0.126")$

Code = **BS635/FB577**



Roller Capacity	
RL(mm)	Capacity(kg)
750	490
1000	490
1250	490
1500	490
1750	470

## Description:

**Tube Material:** Carbon Steel, Stainless optional

**Finished:** Zinc Plated, Galvanized

**Shaft(d):** 7/16", 11/16" Hex

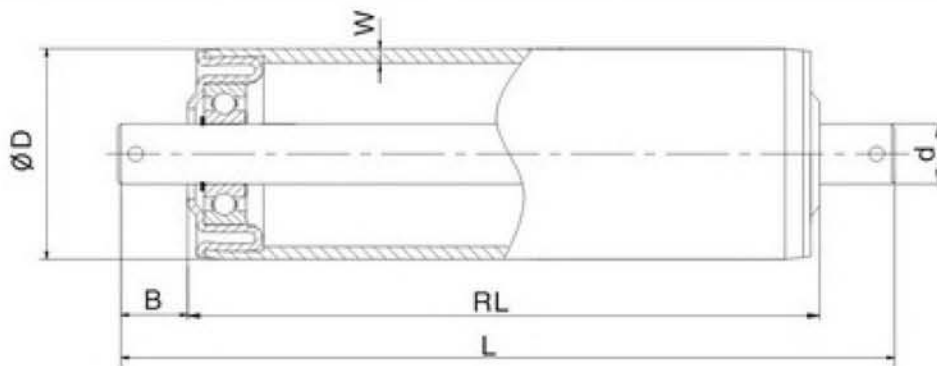
FB577



# RODILLOS GRAVITACIONALES

$\phi D \times W = 70 \times 2.9\text{mm}$  (2.76" x 0.114")

Code = **BS700/HP643**



Roller Capacity	
RL(mm)	Capacity(kg)
750	230
1000	230
1250	230
1500	230
1750	220

## Description:

**Tube Material:** Carbon Steel, Stainless optional

**Finished:** Zinc Plated, Galvanized

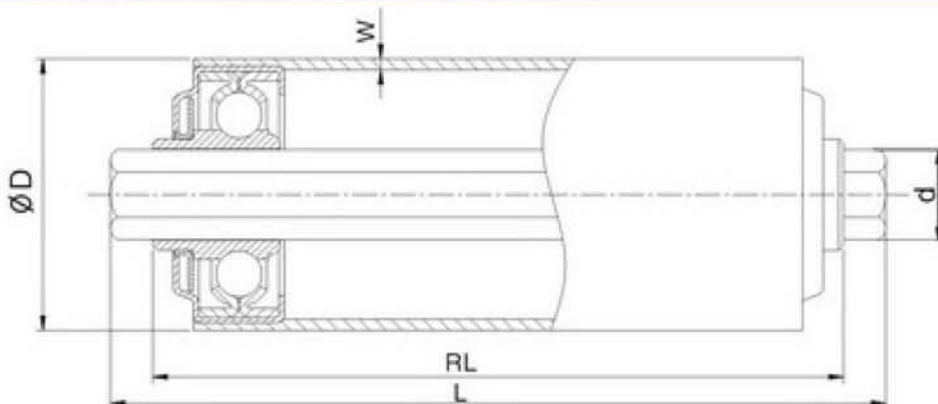
**Shaft(d):**  $\phi 20\text{mm}$

HP643-2000



$\phi D \times W = 76 \times 6\text{mm}$  (3" x 0.236")

Code = **BS760/SM576**



Roller Capacity	
RL(mm)	Capacity(kg)
750	475
1000	475
1250	475
1500	475
1750	450

## Description:

**Tube Material:** Carbon Steel, Stainless optional

**Finished:** Zinc Plated, Galvanized, Rubber Coated

**Shaft(d):** 1-1/16" Hex

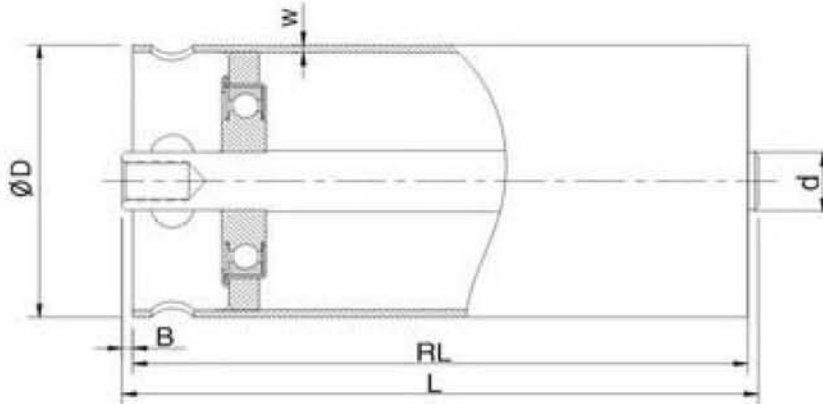
SM576-2700H





$\phi D \times W = 87.5 \times 3mm (3.44" \times 0.118")$

Code = **BS875/FB635**



Roller Capacity	
RL(mm)	Capacity(kg)
1250	2000

**Description:**

**Tube Material:** Carbon Steel

**Finished:** Galvanized

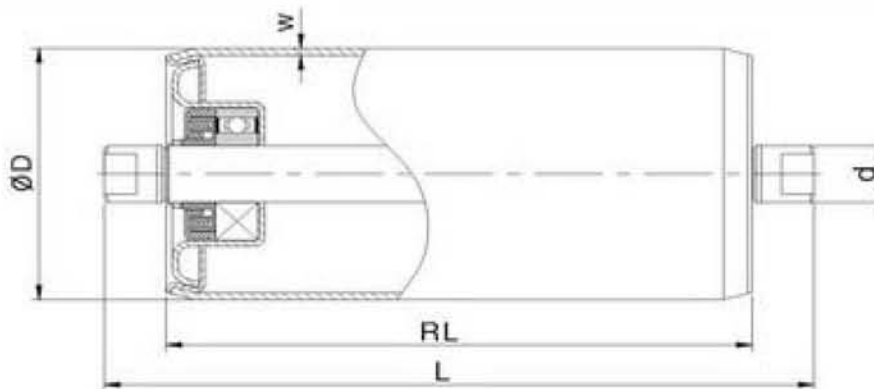
**Shaft(d):**  $\phi 25mm$

FB635-2500



$\phi D \times W = 89 \times 2.5mm (3.5" \times 0.1")$

Code = **BS890/HP840**



Roller Capacity	
RL(mm)	Capacity(kg)
200	250
350	250
500	250
650	250
750	250

**Description:**

**Tube Material:** Carbon Steel

**Finished:** Powder Coated

**Shaft(d):**  $\phi 20mm$

HP840-2020



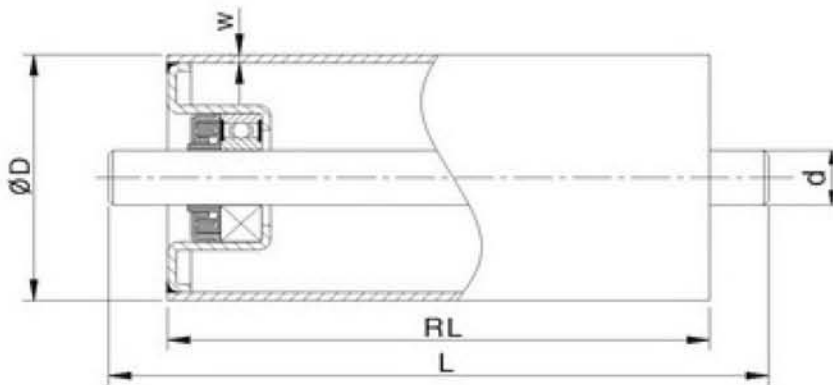




# RODILLOS GRAVITACIONALES

$\phi D \times W = 89 \times 2.5mm (3.5" \times 0.1")$

Code = **BS890/HP840**



Roller Capacity	
RL(mm)	Capacity(kg)
200	280
350	280
500	280
650	280
750	280

## Description:

**Tube Material:** Carbon Steel

**Finished:** Powder Coated

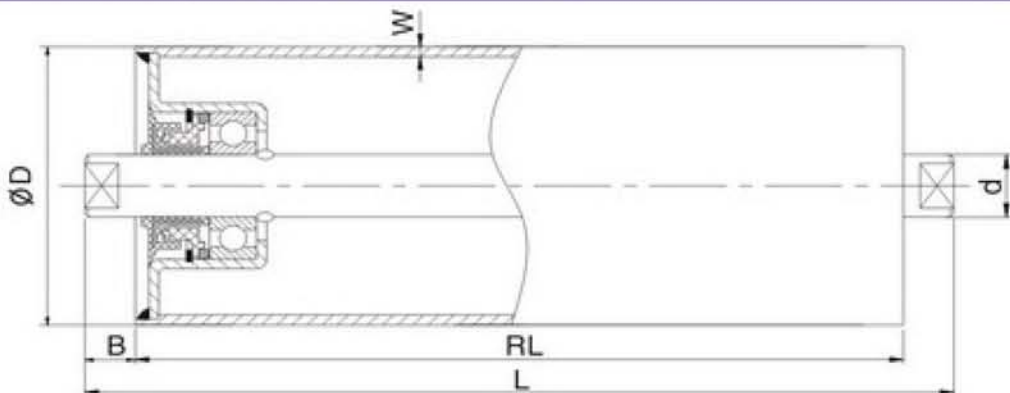
**Shaft(d):**  $\phi 20mm$

HP840-2030



$\phi D \times W = 89 \times 3mm (3.5" \times 0.118")$

Code = **BS890/HP840**



Roller Capacity	
RL(mm)	Capacity(kg)
200	280
350	280
500	280
650	280
750	280

## Description:

**Tube Material:** Carbon Steel

**Finished:** Powder Coated

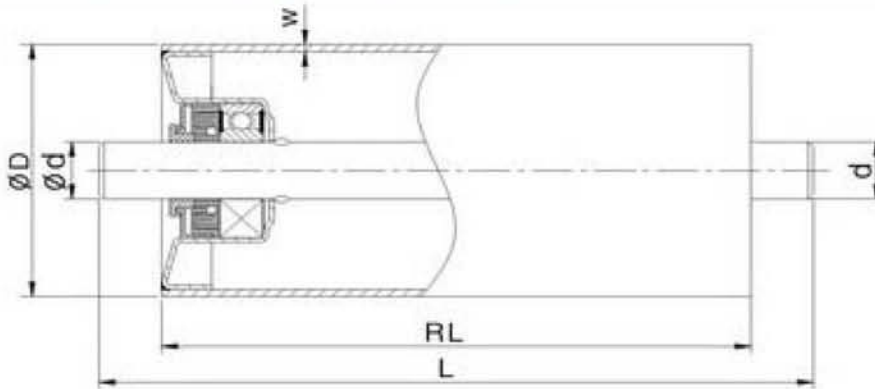
**Shaft(d):**  $\phi 20mm$

HP840-2010



$\phi D \times W = 89 \times 3mm (3.5" \times 0.118")$

Code = **BS890/HP832**



Roller Capacity	
RL(mm)	Capacity(kg)
200	280
350	280
500	280
650	280
750	280

**Description :**

**Tube Material:** Carbon Steel

**Finished:** Powder Coated

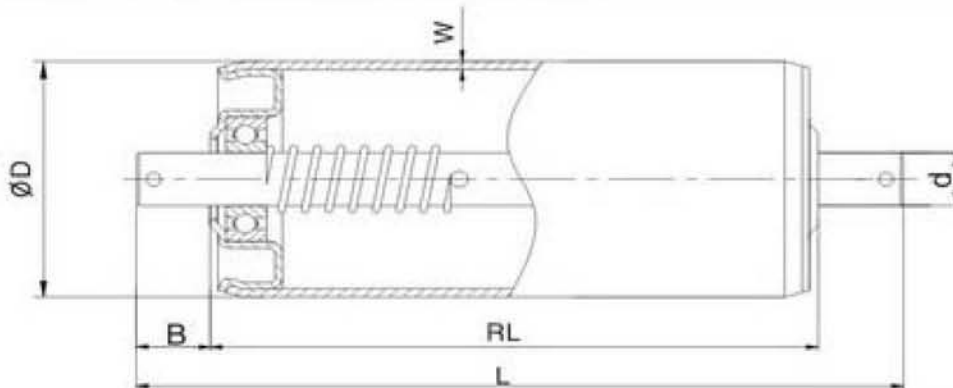
**Shaft(d):**  $\phi 20mm$

HP832-2010



$\phi D \times W = 89 \times 3.2mm (3.5" \times 0.126")$

Code = **BS890/HP830**



Roller Capacity	
RL(mm)	Capacity(kg)
200	300
350	300
500	300
650	300
750	300

**Description :**

**Tube Material:** Carbon Steel, Stainless optional

**Finished:** Zinc Plated, Galvanized

**Shaft(d):**  $\phi 20mm$

HP830-2000

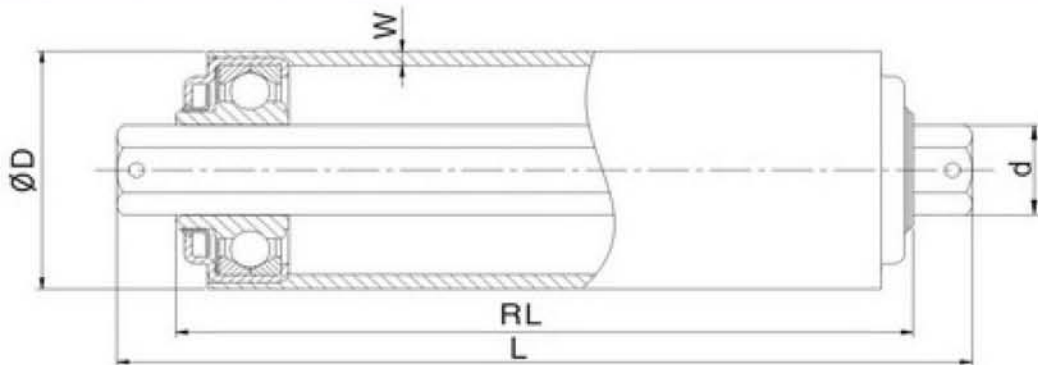




# RODILLOS GRAVITACIONALES

$\phi D \times W = 89 \times 6mm (3.5" \times 0.236")$

Code = **BS890/SM780**



Roller Capacity	
RL(mm)	Capacity(kg)
500	475
750	475
1000	475
1250	450
1500	430

## Description:

**Tube Material:** Carbon Steel, Stainless optional

**Finished:** Zinc Plated.Galvanized.Rubber Coated

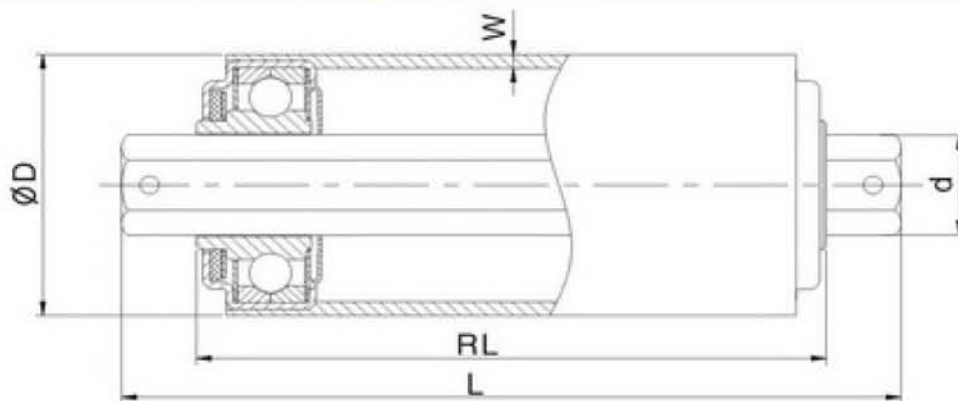
**Shaft(d):** 1-1/16" Hex

SM780-2700H



$\phi D \times W = 101.6 \times 6.35mm (4" \times 0.25")$

Code = **BS1016/SM907**



Roller Capacity	
RL(mm)	Capacity(kg)
500	2040
1000	2040
1500	2040
2000	1700
2500	1300

## Description:

**Tube Material:** Carbon Steel, Stainless optional

**Finished:** Zinc Plated.Galvanized

**Shaft(d):** 1-1/4" Hex

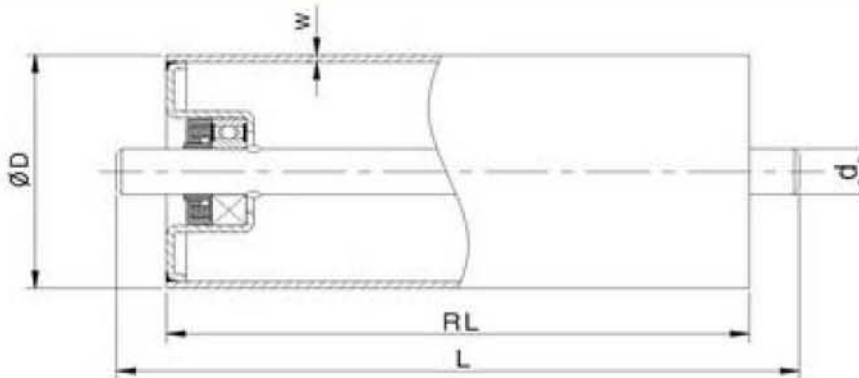
SM907-3200H







$\phi D \times W = 103 \times 3.5\text{mm}$  (4.06" x 0.138") Code = **BS103/HP960**



Roller Capacity	
RL(mm)	Capacity(kg)
200	280
350	280
500	280
650	280
750	280

**Description:**

**Tube Material:** Carbon Steel

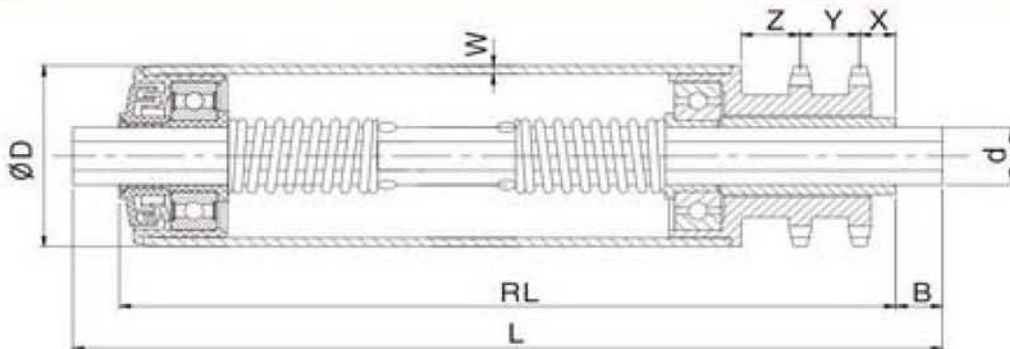
**Finished:** Powder Coated

**Shaft(d):**  $\phi 20,25\text{mm}$

HP960-2010



$\phi D \times W = 63.5 \times 3\text{mm}$  (2.5" x 0.118") Code = **SK635/PL577**



Roller Capacity	
RL(mm)	Capacity(kg)
500	250
750	250
1000	250
1250	230
1500	210

**Description:**

**Tube Material:** Carbon Steel, Stainless optional

**Finished:** Zinc Plated, Galvanized

**Sprocket NO.:** 40A-14

**Shaft(d):** 11/16" Hex

PL577-1100H

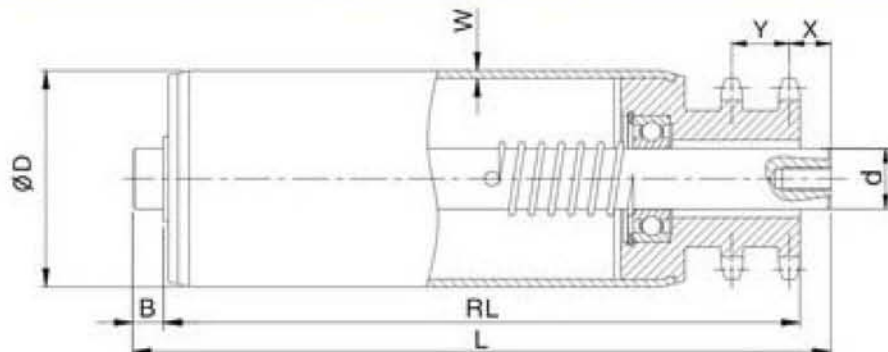




# RODILLOS GRAVITACIONALES

$\phi D \times W = 89 \times 3.2\text{mm}$  (3.5" x 0.126")

Code = **SK890/6206**



Roller Capacity	
RL(mm)	Capacity(kg)
200	350
350	350
500	350
650	350
750	350

## Description :

**Tube Material:** Carbon Steel, Stainless optional

**Finished:** Zinc Plated, Galvanized

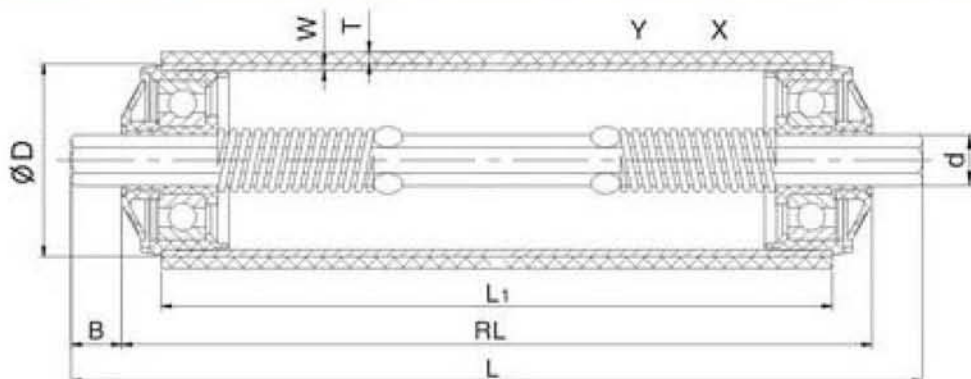
**Sprocket NO.:** 50A15

**Shaft(d):** 11/16" Hex



$\phi D \times T \times W = 38 \times 3 \times 1.2\text{mm}$  (1.5" x 0.12" x 0.047")

Code = **RC380/PL350**



Roller Capacity	
RL(mm)	Capacity(kg)
200	150
350	150
500	140
650	130
750	120

## Description :

**Tube Material:** Carbon Steel, Stainless optional

**Finished:** 3mm Rubber Coated

**Shaft(d):**  $\phi 10, 12, 12.7\text{mm}, 11.1\text{mm}$  (7/16" Hex)

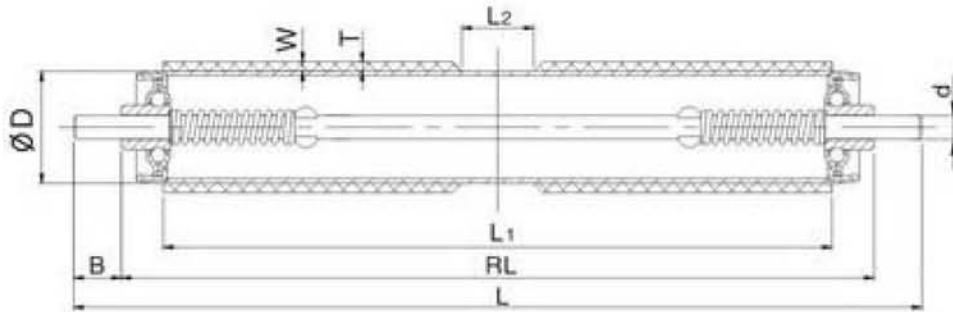
PL350-1100H



# RODILLOS GRAVITACIONALES

$\phi D \times T \times W = 48.3 \times 3 \times 1.65\text{mm}$  (1.9" x 0.12" x 0.065")

Code = **RC483/HM450**



Roller Capacity	
RL(mm)	Capacity(kg)
250	150
500	150
750	150
1000	140
1250	120

## Description:

**Tube Material:** Carbon Steel, Stainless optional

**Finished:** 3mm Rubber Coated

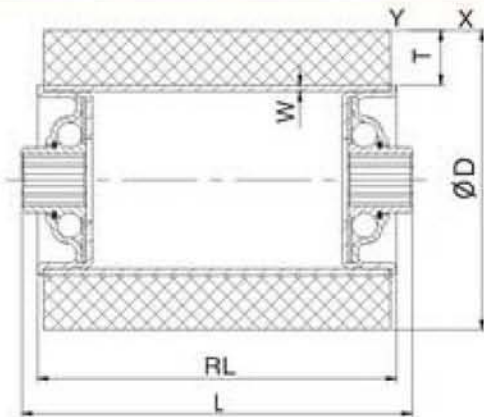
**Shaft(d):**  $\phi 8, 10, 12\text{mm}, 11.1\text{mm Hex}$

HM450-0800



$\phi D \times T \times W = 76 \times 14 \times 1.65\text{mm}$  (3" x 0.55" x 0.065")

Code = **RC760/HM450**



Roller Capacity	
RL(mm)	Capacity(kg)
72	80

## Description:

**Tube Material:** Carbon Steel, Stainless optional

**Finished:** 13.9mm Rubber Coated

**Shaft(d):** 11.1mm Hex



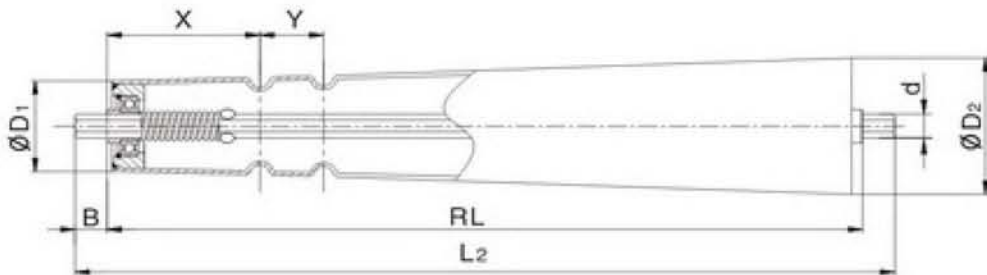




# RODILLOS GRAVITACIONALES

$\phi D_1 \times D_2 = 48.3 \times 80\text{mm} (1.9" \times 3.15")$

Code = **TP483/FA599**



Roller Capacity	
RL(mm)	Capacity(kg)
500	150
750	150
1000	140
1250	120

## Description:

**Tube Material:** Carbon Steel, Stainless optional

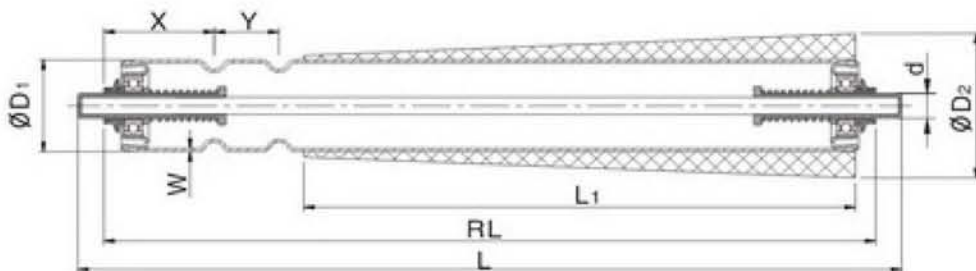
**Finished:** Rubber Coated,  $\phi D_1=1.9"$ ,  $\phi D_2=4"$

**Shaft(d):**  $\phi 12\text{mm}$ ,  $11.1\text{mm}(7/16"$  Hex)



$\phi D \times W = 48.3 \times 1.65\text{mm} (1.9" \times 0.065")$

Code = **TP483/HP452**



Roller Capacity	
RL(mm)	Capacity(kg)
500	150
750	150
1000	140
1250	120

## Description:

**Tube Material:** Carbon Steel, Stainless optional

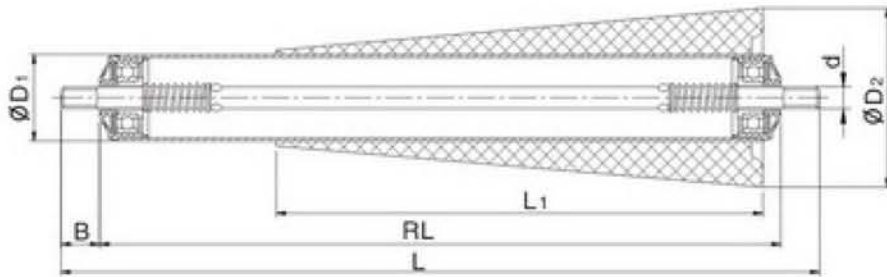
**Finished:** Rubber Coated:  $\phi D_1=1.9"$ ,  $\phi D_2=3"$

**Shaft(d):**  $\phi 10, 12\text{mm}$ ,  $11.1\text{mm}(7/16"$  Hex)



$\phi D \times W = 48.3 \times 1.65mm (1.9" \times 0.065")$

Code = **TP483/PL452**



Roller Capacity	
RL(mm)	Capacity(kg)
500	150
750	150
1000	140
1250	120

**Description :**

**Tube Material:** Carbon Steel, Stainless optional

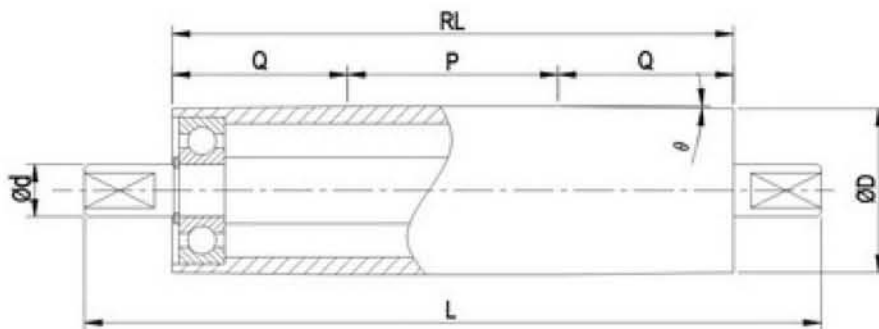
**Finished:** Rubber Coated:  $\phi D_1=1.9", \phi D_2=3.78"$

**Shaft(d):**  $\phi 10, 12, 12.7mm, 11.1mm(7/16"$  Hex)



$\phi D \times W = 48.6 \times 2.5mm (1.9" \times 0.098")$

Code = **DR486/6302ZZ**



Roller Capacity	
RL(mm)	Capacity(kg)
200	150
350	150
500	150
650	150
750	150

**Description :**

**Tube Material:** Carbon Steel, Stainless optional

**Finished:** Knurling Optional

**Shaft(d):**  $\phi 10, 12, 15mm$





EQUIPOS DE TRANSMISIÓN DE POTENCIA

**ITAL-CHILE LTDA.**

San Francisco 1122 • Santiago - Chile • Fono/Fax: 555 51 23  
[www.ital-chile.cl](http://www.ital-chile.cl)